
price list **2015**

circulation desks | furniture | tables | shelving

january 2015

contents

optional cores for tops	1
group 90	3
classical selections	11
tables medallion 82	21
tables version 1 mentor	26
tables version 2 mentor	27
tables version 3 mentor	28
mentor carrels	29
dewey collection	32
c series t series shelving	41
ends tops steel	70
32mm circulation desks	77
technical furniture	94
index carrel racks	96

prices

All prices are listed herein are F.O.B. Fitchburg, MA, and net 30 days to approved accounts. Please note in some product lines, our standard method of shipment is KD (knocked down). Some assembly may be required. These prices do not include sales tax, shipping, delivery, crating, uncrating, assembly, storage or installation. Special taxes, e.g., sales taxes, required by laws in individual states must be added to these prices. Prices and specifications are subject to change without notice. Orders are subject to price in effect at the time of acknowledgment. Orders with extended delivery dates are subject to special delivery.

credit

We welcome accounts at our usual terms to customers approved by our credit department. Customers requesting open account terms must supply name of bank, three trade references of appropriate size or other financial data that our credit department may deem necessary to properly approve credit. We reserve the right to cancel or change credit terms at our discretion.

acknowledgements

Every order is acknowledged. Orders will be manufactured and invoiced based upon the information on the acknowledgement. If there is any discrepancy, please notify ModuForm immediately. Orders are accepted by ModuForm as confirmed by our acknowledgement. All acknowledgements contain an estimated shipping date. Your order may actually ship earlier than the estimated shipping date, depending on the backlog at the time. If for some reason you do not want the merchandise

earlier than a specific date, please specify "Do not ship for arrival before ____" on your purchase order.

phone orders

ModuForm accepts phone orders as a service to meet customer needs. All phone orders must be confirmed in writing within 10 days. If the writing confirmation is not received within this time, the order will be removed from the production schedule. The order will be reinstated with a new estimated ship date after confirming order is received. A purchase order marked "CONFIRMATION" is required. Duplicate orders not marked "CONFIRMATION" are the responsibilities of the customer.

materials

All furniture containing plastic, plastic laminates, wood, textiles or metal is sold subject to minor variations or irregularities of color, surface, grain and texture indigenous to their nature and over which we have no control.

specifications

All dimensions and weights are considered approximate. We reserve the right to make changes in price, dimensions, design and construction without prior notice where we deem necessary to preserve or to improve the product's design or structural integrity.

revised orders

Customers requiring changes or revisions to existing orders will not incur additional changes unless the order is in process or has been processed. Orders revised after processing has begun are subject to an additional charge.

warranty

ModuForm, Inc., including the Library Bureau brand, warrants its products against defects in materials and workmanship, under normal use and service for a period of 5-years from date of shipment. This warranty covers: The structure of the furniture lumber components against delamination, checking, waning or warping. The durability of the rotationally molded vinyl with regards to expansion, fracturing or tearing. The foam against defects in its manufacture of composition. The steel structural components, metal fasteners and hardware. This warranty does not cover: Fabrics, COMs, finishes, filling materials, light bulbs and normal wear items. Failure due to accident, misuse, abuse and/or negligence. All electrical components shall carry the manufacturer's warranty. ModuForm, Inc., at its discretion and after inspection will repair or replace furniture returned under the terms of this warranty coverage or will supply the customer with replacement parts. All freight charges for authorized returns will be paid by ModuForm Inc. All other warranties, expressed or implied, including any warranty of merchandise ability or fitness for a particular use are hereby excluded. In no event shall ModuForm, Inc. be liable for any consequential or incidental damages incurred by the buyer with respect to any goods or services furnished by ModuForm, Inc. For prompt attention with warranty matters, please contact ModuForm/Library Bureau Customer Service at 800-221-6638.

cancellations

Orders entered and acknowledged cannot be

changed or cancelled without ModuForm's consent. The customer is responsible for all costs incurred. Orders for non-standard products are not cancelable.

title to merchandise

Title to Merchandise shall pass to the buyer upon delivery by ModuForm to the carrier. For purposes of risk of loss, all shipments are F.O.B. factory. If carrier damages goods while in transit, the buyer has the sole obligation of seeking any appropriate recourse against the carrier.

installation

Some products in our collection may require assembly and/or field installation. While we will be pleased to supply detailed assembly instructions, we do not assume responsibility for assembly/field installation, unless we have contracted for same in writing. Installation quotations are based on standard site conditions and utilize non union labor unless otherwise specified. Projects requiring prevailing wages, union labor or similar requirements must be clearly stated in the body of the installation quote. Standard site conditions assume the availability of loading docks, elevators for multi floor buildings and easy access and parking for 50 foot trailers. Unless otherwise stated in this quotation, it is assumed that the customer will provide all protection for flooring, walls, stairwells, elevators etc. Unless otherwise stated in this quotation, it is assumed that the customer will provide any special traffic or parking arrangements or police details as may be required at the time of delivery.

returns

Returns of merchandise will not be accepted without written factory authorization. Unauthorized returns will not be accepted. Return shipments for reason other than warranted defects will be subject to re-handling and restocking charges, the final amount for which will be determined after the material is received and inspected. All items are specially built to order and are not returnable without written factory authorization. All returned shipments must be sent freight prepaid, otherwise they will not be accepted.

shipment damage claims

All merchandise is packed to comply with carrier standards. All shipments should be carefully inspected by the consignee before acceptance and the delivery carrier should be requested to record any shortage or damage. Concealed Damages: Notification of concealed damages must be made to the delivery carrier within 15 days after delivery of merchandise. CAUTION: Carrier liability ceases after 15 days. Shortage Claim: Shortage claims reported more than 60 days after shipment date will not be honored.

freight

Freight estimate is based product being packed and shipped the most economical way. Special shipping instructions, not previously noted in your bid instructions, may require additional trailers and could result in higher than quoted freight costs. Fuel sur-charges apply at time of shipment. Freight includes shipping and handling charges for common carrier with standard dock delivery and requires use of end user personnel and equipment for unloading.

If 24-hour notification, exact day delivery, unloading assistance, inside delivery, or special assistance is required, please contact ModuForm Customer Service before the scheduled shipment date as there will be additional charges.

offloading

Freight estimates involving full truckloads accommodate two hours for offloading. If additional time is required or taken, additional charges will be applied to the final invoice.

unplanned additional stops

If additional stops are required - beyond the original freight charges quoted - additional charges will be applied to the final invoice.

credit cards

Payments made by credit cards may be accommodated. Notify your ModuForm sales or Customer Service representative prior to ordering.

stain options

Prices herein are based on ModuForm's Standard Natural Oak (LO) finish. An upcharge to the net price will be applied to all other stain selections if not noted as a line item. custom stain colors: +5% of net; add \$250.00 set up charge and use "CF" in place of LO in model number attribute string.

standard laminates

Listed below are standard laminate offerings matching LibraryBureau | ModuForm finishes and stains. Any deviation from the below laminates or standard matching pvc edges will require a custom quotation and upcharges where applicable.

finish | laminate

LO: "Light Oak" (Oak) | Wilsonart 7888 Golden Oak

NM: "Natural Maple" (Maple) | Wilsonart 7909-60 Fusion Maple with matte finish

CO: "Cherry on Oak" (Oak) | Formica 7759-58 Select Cherry with matte finish

CM: "Cherry on Maple" (Maple) | Wilsonart 7924-60 Biltmore Cherry with matte finish

MD: "Medium" (Oak) | Wilsonart 7885-60 English Oak with matte finish

DM: "Dark Mocha" (Oak or Maple) | Wilsonart Hemlock 11067-60 with matte finish

WL: "Walnut" (Oak or Maple) | Wilsonart 7110-60 Montana Walnut

DO: "Dark Oak" (Oak) | Wilsonart 7885-60 English Oak

MO: "Mahogany" (Oak or Maple) | Wilsonart 7040-60 Figured Mahogany

LC: "Light Cherry" (Oak or Maple) | Wilsonart Amber Cherry 7919-60 with matte finish

wood finishes on oak

LO Natural on Oak (Standard)

CO Cherry on Oak

LC Light Cherry on Oak

DO Dark Oak on Oak

DM Dark Mocha on Oak

MO Mahogany on Oak

MD Medium Oak on Oak

WL Walnut on Oak

WO White Wash on Oak

BK Black

wood finishes on maple

LO Natural on Maple

CO Cherry on Maple

LC Light Cherry on Maple

DM Dark Mocha on Maple

MO Mahogany on Maple

WL Walnut on Maple

grade a

Call for availability.

grade b

Sherpa-Shire or equivalent. Unique upholstery fabrics with 100% Marquesqa Lana construction. Durable, easy to clean, nearly impervious to damage and their colors remain true for years. FLAMMABILITY: Flame-resistance: California Technical Bulletin 117, Section E CS-191-53, Class 1; BIFMA X5.7-1991, NFPA 260-1989, Class 1; UFAC, Class 1 B.S. 5852 Part : 1979 Ignition Source 0, Smoldering Cigarette.

grade c

MFI "Metropolitan". Practical, durable, superior strength, 100% vinyl surface. Tough, yet soft hi-loft backing. Patriot Plus: 100% polyester substrate. FLAMMABILITY: BIFMA, Boston Fire Code-Test BFD 1X-1, California Tech Bulletin 177, Federal Aviation Specification FAR 25.853 (a) & Appendix F Part I (a) (1) (ii). Federal Specification CCC – A – 680 a. Motor Vehicle Safety Standard 302, Port Authorities of New York and New Jersey, UFAC 0- Class 1.

grade d

Grade D: Amenities FR: Bounce, Electricity, Eternity, Frequent, Gradient, Hatch, Link, Spout, Spree and Zone. 100% Polyester, Surface Abrasion, (ASTM-D-3597), Sec. 7.4 Cotton Duck, Wyzenbeek, Brush Pill: ASTM D-3511, 4 minimum, Cleaning Code: S-Clean with Solvent only. FLAMMABILITY: California Technical Bulletin 117, Section E, NFPA 260-1989, UFAC Class 1, NFPA 701-89 Small Scale, IMO A.652 (16) 8.3 Butane Flame, IMO A.652 (16) 8.2 Smoldering Cigarette

grade e

Call for availability.

grade f

Suite Style Collection - Crypton: Bandeau, Baskerville, Stargaze, Stryker, Twirl, Vignette and Wilderness. 50,000 D.R., Wyzenbeek (ASTM-D-4157 Wire Screen), Code: WS-For water based stains use water based cleaning agent. For oil based stains use solvent cleaner. FLAMMABILITY: California Technical Bulletin 117, Section E, NFPA 260-1989, UFAC Class 1, CS-191-53, Class 1, MBIFMA x5.7-1991, B.S 5852 Part 1; (1979 Ignition Source 0; Smoldering Cigarette).

grade g

Call for availability.

grade h

Call for availability.

grade i

Call for availability.

grade j

Call for availability.

cal 133

Cal 133 Compliance: A number of MF products are Cal 133 compliant or can be as an upgrade option. See each series for details. Fabrics subject to change

rotationally molded vinyl

grade 7: 200 mil flexible vinyl covering

Rotationally molded for uniform thickness of 200 mil. Virtually indestructible, seamless, impervious to liquids, stain resistant and easily cleaned. FLAMMABILITY: Flame-retardant, ASTM-D-1692 self-extinguishing; ASTM D-635-63, self extinguishing; Passes NFPA 701 Small Scale; Passes CAL TB 133, self-extinguishing.

grade 9: 250 mil flexible vinyl covering

Rotationally molded for uniform thickness of 250 mil. Refer to Grade 7. FLAMMABILITY: Refer to Grade 7.

c.o.m. covering materials

C.O.M. prices include labor to apply Customer's Own Material, but not the cost of the material. Prices for furniture upholstered in ModuForm graded fabrics are indicated in this price list. C.O.M. coverings must be approved by ModuForm prior to acceptance of an order. Upon approval, a sample swatch must accompany the order. ModuForm Furniture assumes no responsibility for wear, defects, or performance of C.O.M. coverings. Special instructions for handling materials (patterns, directional stripes, etc.) must be submitted in writing before the fabric is delivered. In the absence of special instructions, we reserve the right to use our judgment. We also reserve the right to reject any covering material that we consider unsuitable for upholstery purposes. Yardage requirements are based on 54" wide covering material and must be increased for material less than 54" wide. Additional yardage may also be needed if pattern matching is required. Though every effort will be made to accurately estimate yardage required for C.O.M. material, ModuForm accepts no responsibility when additional yardage is required. All C.O.M. coverings are to be shipped freight prepaid to:

ModuForm, Inc.

172 Industrial Road

Fitchburg, MA. 01420

Attn: COM/Customer Service

The outside of each package must be labeled with the ModuForm acknowledgement number, the customer's name and purchase order number.

attach fabric swatch indicating application on the listed seating

each fabric must have a separate com form

customer _____

purchase order _____ **date** _____

project _____ **item** _____

quantity _____ **need by** _____

grand opening yes – no _____ **date** _____

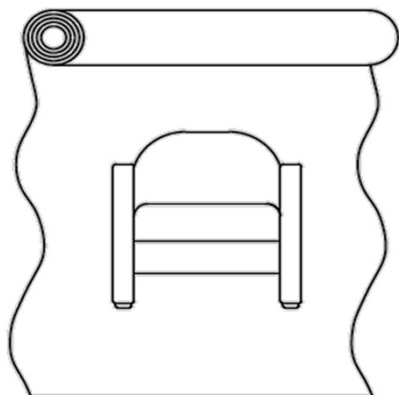
fabric name _____

railroad repeat

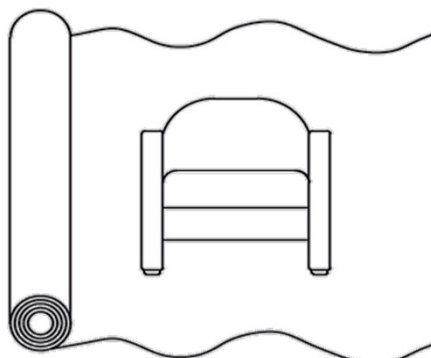
fabric width	plain fabric	1-5"	6-9"	10-13"	14-20"	21-27"	28-34"
54"	0%	+10%	+15%	+20%	+25%	+30%	+35%
50"	+15%	+15%	+20%	+25%	+30%	+35%	+40%
48"	+20%	+20%	+25%	+30%	+35%	+40%	+45%

up the roll repeat

fabric width	plain fabric	1-5"	6-9"	10-13"	14-20"	21-27"	28-34"
54"	0%	+15%	+20%	+25%	+30%	+35%	+40%
50"	+15%	+20%	+25%	+30%	+35%	+40%	+45%
48"	+20%	+25%	+30%	+35%	+40%	+45%	+50%



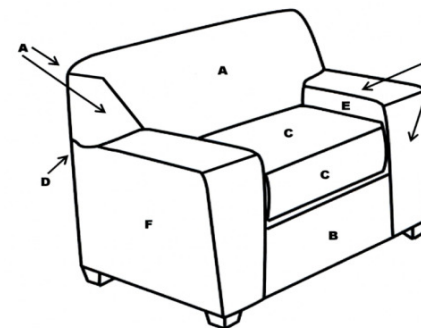
up the roll



railroad

for double repeat, use 50" fabric width

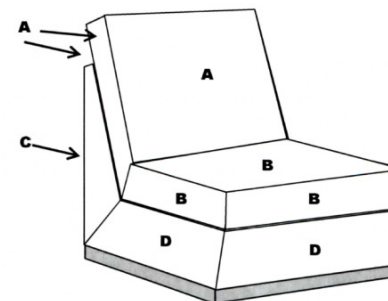
multiple fabrics | upholstery



multiple fabric arm diagram

- A inside chair back _____
- B front pullover _____
- C chair seat _____
- D outside chair back _____
- E inside arm panels _____
- F outside arm panels _____

list price based on highest fabric grade chosen



multiple fabric armless diagram

- A inside chair back _____
- B chair seat _____
- C outside chair back _____
- D body _____

list price based on highest fabric grade chosen

optional cores for tops				
<i>Tables, Carrels & TSU tops are priced with particleboard cores. See other options below.</i>				
<i>All prices are list upcharges</i>				
for tables:				Multi-Ply LIST upcharge
24" x 36"				\$74.15
36" x 48" 42" x 42" 24" x 72" 42" dia				\$131.53
48" dia.				\$165.95
30" or 36" x 60"				\$165.95
36" x 72" 42" x 60"				\$197.73
36" x 90" 48" x 72"				\$261.81
42" x 90"				\$294.83
48" x 90"				\$327.49
for carrels:				
24" x 36"				\$122.70
TSU 42"				\$94.45
TSU 48"				\$110.52
for tables:				
24" x 36"				\$123.58
36" x 48" 42" x 42" 24" x 72" 42" dia				\$245.40
48" dia.				\$307.19
30" or 36" x 60"				\$307.19
36" x 72" 42" x 60"				\$368.09
36" x 90" 48" x 72"				\$490.79
42" x 90"				\$535.81
48" x 90"				\$613.49
for carrels:				
24" x 36"				\$613.49
TSU 42"				\$175.84
TSU 48"				\$200.38

Item #	Description	Dimensions	Weight	List \$	
<p>All Group 90 tables have high pressure laminate tops. Wood veneer tops are available at a 30% upcharge, please specify "V" after the item # on your order. Standard table height is 29", please specify 27-1/2" or 25", if desired. For 32" clear height, please add \$111 to list price and specify 32" on order.</p>					
Rectangular:					
90WO-2436L		36 x 24 x 29	75	\$715.93	
90WO-2472L		72 x 24 x 29	110	\$991.85	
90WO-CRTL	stand up height	72 x 24 x 39	140	\$1,044.12	
90WO-3060L		60 x 30 x 29	125	\$1,198.49	
90WO-3660L		60 x 36 x 29	140	\$1,040.47	
90WO-3672L		72 x 36 x 29	150	\$1,127.99	
90WO-3672RL	with 5th leg	72 x 36 x 29	155	\$1,221.58	
90WO-3690L	with 5th leg	90 x 36 x 29	180	\$1,417.28	
90WO-4260L		60 x 42 x 29	150	\$1,136.50	
90WO-4290L	with 5th leg	90 x 42 x 29	120	\$1,514.52	
90WO-4836L		36 x 48 x 29	120	\$996.72	
90WO-4872L		72 x 48 x 29	185	\$1,304.24	
90WO-4872RL	with 5th leg	72 x 48 x 29	190	\$1,369.88	
90WO-4890L	with 5th leg	90 x 48 x 29	240	\$1,564.36	
Round:					
90WO-42DL		42 dia x 29	115	\$961.47	
90WO-48DL		48 dia x 29	120	\$1,016.16	
Column surround round table:					
90WO-84CSL		84 dia.	150	\$4,101.97	
90WO-84CSL-SE	with 3/8" external oak binder	84 dia.	150	\$4,379.47	

group 90					
Item #	Description	Dimensions	Weight	List \$	
Square:					
90WO-4242L		42 x 42 x 29	115	\$1,002.79	
90WO-3636		36 x 36 x 29	-	\$910.41	
Slope top table:					
90WO-SLL		78 x 31 x 25	200	\$1,710.22	
Trapezoid table:					
90WO-TRAP1		60 x 30 x 30	130	\$1,687.12	
Benches:					
90WO-B-17L		69 x 15 x 17	105	\$711.07	
90WO-B-14L		69 x 15 x 14	105	\$677.04	
<i>Bench tops are standard in solid red oak or maple wood construction</i>					
Accessories:					
LBA-H-R262	Leg brace Package for all Group 90 Tables (set of 4)		25	\$175.03	
Index Tables:					
<i>Units include index rack and table. For index & carrel racks that are sold separately please see section 11-1. Standard table height is 29" please specify 27-1/2" or 25" if desired. Tables have high pressure laminate tops. For wood veneer tops, please specify "V" after the item #.</i>					
Tapered low back index tables:					
single faced:					
	Rack Size:				
90WO-2436L-L	SF Rack-1 Place	34-3/4 x 10-3/16 x 8	93	\$937.16	
90WO-2472L-L	SF Rack-2 Places	69-1/2 x 10-3/16 x 8	140	\$1,403.91	

Item #	Description	Dimensions	Weight	List \$
double faced:				
Rack Size:				
90WO-4260L-L	DF Rack-4 Places	57-1/2 x 10-3/16 x 8	236	\$2,895.34
90WO-4290L-L	DF Rack-6 Places	87-1/2 x 10-3/16 x 8	316	\$2,176.97
90WO-4836L-L	DF Rack-2 Places	34-3/4 x 10-3/16 x 8	139	\$1,259.26
90WO-4872L-L	DF Rack-4 Places with 5th leg	69-1/2 x 10-3/16 x 8	277	\$1,845.14
90WO-4890L-L	DF Rack-6 Places with 5th leg	87-1/2 x 10-3/16 x 8	356	\$2,084.59
double faced:				
90WO-4260L-H	DF Rack-4 Places	57-1/2 x 10-3/16 x 19-3/8	236	\$2,178.19
90WO-4290L-H	DF Rack-6 Places with 5th leg	87-1/2 x 10-3/16 x 19-3/8	316	\$2,987.71
90WO-4836L-H	DF Rack-2 Places	34-3/4 x 10-3/16 x 19-3/8	173	\$1,608.11
90WO-4872L-H	DF Rack-4 Places with 5th leg	69-1/2 x 10-3/16 x 19-3/8	282	\$2,422.50
90WO-4890L-H	DF Rack-6 Places with 5th leg	87-1/2 x 10-3/16 x 19-3/8	356	\$3,037.55
Square high back index tables:				
Single faced:				
90WO-2436L-SQ	SF Rack-1 Place	34-3/4 x 10-3/16 x 19-3/8	122	\$1,136.50
90WO-2472L-SQ	SF Rack-2 Places	69-1/2 x 10-3/4 x 19-3/8	177	\$1,786.79
Double faced:				
90WO-4260L-SQ	DF Rack-4 Places	57-1/2 x 10-3/4 x 19-3/8	236	\$2,134.43
90WO-4290L-SQ	DF Rack -6 Places with 5th leg	87-1/2 x 10-3/16 x 19-3/8	316	\$2,931.80
90WO-4836L-SQ	DF Rack-2 Places	34-3/4 x 10-3/16 x 19-3/8	173	\$1,578.94
90WO-4872L-SQ	DF Rack-4 Places with 5th leg	69-1/2 x 10-3/16 x 9-3/8	282	\$2,377.53
90WO-4890L-SQ	DF Rack-6 Places with 5th leg	87-1/2 x 10-3/16 x 19-3/8	356	\$2,981.64
Tables with full wing carrel tops:				
single faced:				
90WO-2436L-TRS	SF Rack-1 Place	34-3/4 x 23-1/2 x 19-3/8	137	\$1,251.97
90WO-2472L-TRS	SF Rack-2 Places	69-1/2 x 23-1/2 x 19-3/8	182	\$2,017.74

Item #	Description	Dimensions	Weight	List \$	
Double faced:					
90WO-4836L-TRS	DF Rack-2 Places	34-3/4 x 23-1/2 x 19-3/4	188	\$1,772.21	
90WO-4872RL-TRS	DF Rack-4 Places with 5th leg	69-1/2 x 23-1/2 x 19-3/8	295	\$2,743.40	
90WO-4890L-TRS	DF Rack-6 Places with 5th leg	87-1/2 x 23-1/2 x 19-3/8	371	\$3,362.09	
Optional group 90 reveals:					
LBA-90V-24x36				\$184.76	
LBA-90V-24x72				\$369.51	
LBA-90V-36x60				\$307.52	
LBA-90V-42x60				\$307.52	
LBA-90V-36x72				\$369.51	
LBA-90V-36x90				\$460.68	
LBA-90V-42x90				\$460.68	
LBA-90V-48x72				\$369.51	
LBA-90V-48x90				\$460.68	
LBA-90V-42x42				\$215.14	
LBA-90V-48R				\$184.76	
LBA-90V-42R				\$184.76	
Modular post and panel style carrels:					
<i>Worksurfaces are high pressure laminate. Modular carrel shelves do not include a front fascia.</i>					
Single faced:					
90WO-S1L	SF Carrel Starter	38-1/4 x 31 x 48	120	\$1,256.83	
90WO-S2L	SF Carrel Adder	36-9/16 x 31 x 48	95	\$813.17	
Double faced:					
90WO-D1L	DF Carrel Starter	38-1/4 x 60-1/2 x 48	200	\$1,877.96	
90WO-D2L	DF Carrel Adder	38-5/16 x 60-1/2 x 48	120	\$1,392.97	

Item #	Description	Dimensions	Weight	List \$	
Pinwheel carrel:					
90WO-PW4L	Pinwheel Carrel - 4 places	67-9/16 x 67-9/16 x 48	420	\$3,475.13	
Cluster carrels:					
Worksurfaces are high pressure laminate. For wood veneer tops please specify "V" after the item #. CL-24 shelves laminate (HPL). CL-12 are solid oak					
90WO-3CLL	3 Place cluster carrel	93-3/16 x 54	588	\$4,436.60	
90WO-6CLL	6 Place cluster carrel	93-3/16 x 54	1175	\$7,492.38	
Terminal Station Units:					
<i>TSU's are oversized modular carrels to accommodate computer equipment. Worksurfaces are high pressure laminate. TSU shelves have a front fascia included</i>					
36" wide					
single faced:					
90WO-SF-TSU-36	SF-TSU Starter	38-5/16 x 33-1/4 x 48	144	\$1,209.43	
90WO-SFX-TSU-36	SF-TSU Adder	37 x 33-1/4 x 48	144	\$917.71	
90WO-SF-TSU-36S	SF-TSU Starter with shelf	38-5/16 x 33-1/4 x 48	158	\$1,388.11	
90WO-SFX-TSU-36S	SF-TSU Adder with shelf	37 x 33-1/4 x 48	158	\$1,096.39	
36" wide					
double faced:					
90WO-DF-TSU-36	DF-TSU Starter	38-5/16 x 61 x 48	200	\$2,161.17	
90WO-DFX-TSU-36	DF-TSU Adder	37 x 61 x 48	170	\$1,593.53	
90WO-DF-TSU-36S	DF-TSU Starter with shelf	38-5/16 x 61 x 48	215	\$2,517.31	
90WO-DFX-TSU-36S	DF-TSU Adder with shelf	37 x 61 x 48	184	\$1,949.67	

Item #	Description	Dimensions	Weight	List \$
42" wide:				
single faced:				
90WO-SF-TSU-1L	SF Starter	44-1/4 x 33-1/4 x 48	157	\$1,277.50
90WO-SFX-TSU-1L	SF Adder	43-1/4 x 33-1/4 x 48	157	\$982.13
90WO-SF-TSU-1SL	SF Starter with shelf	44-1/4 x 33-1/4 x 48	171	\$1,456.18
90WO-SFX-TSU-1SL	SF Adder with shelf	43-1/4 x 33-1/4 x 48	171	\$1,104.90
42" wide:				
double faced:				
90WO-DF-TSU-1L	DF Starter	44-9/16 x 61 x 48	215	\$2,273.00
90WO-DFX-TSU-1L	DF Adder	43-1/4 x 61 x 48	185	\$1,688.34
90WO-DF-TSU-1SL	DF Starter with shelf	44-9/16 x 61 x 48	230	\$2,491.79
90WO-DFX-TSU-1SL	DF Adder with shelf	43-1/4 x 61 x 48	199	\$1,930.22
48" wide:				
single faced:				
90WO-SF-TSU-2L	SF Starter	33-1/4 x 50-9/16 x 48	170	\$1,813.54
90WO-SFX-TSU-2L	SF Adder	33-1/4 x 49-1/4 x 48	170	\$1,055.06
90WO-SF-TSU-2SL	SF Starter with shelf	33-1/4 x 50-9/16 x 48	185	\$1,540.05
90 WO-SFX-TSU-2SL	SF Adder with shelf	33-1/4 x 49-1/4 x 48	185	\$1,182.69
48" wide:				
double faced:				
90WO-DF-TSU-2L	DF Starter	61 x 50-9/16 x 48	230	\$2,373.88
90WO-DFX-TSU-2L	DF Adder	61 x 49-1/4 x 48	203	\$1,813.54
90WO-DF-TSU-2SL	DF Starter with shelf	61 x 50-9/16 x 48	245	\$2,710.58
90WO-DFX-TSU-2SL	DF Adder with shelf	61 x 49-1/4 x 48	218	\$2,080.95

Item #	Description	Dimensions	Weight	List \$	
Accessories:					
LBA-CL-24	CD-ROM Laminate Shelf	42 x 24 x 1-1/4	50	\$296.58	
LBA-CL-12 (to be used above worksurface top)	Oak Storage Shelf	42 x 12 x 1-1/4	15	\$222.44	
LBA-WSF-30	Fascia for study carrel shelf	35-3/4 x 1-3/4 x 3/4	3	\$30.39	
Technical furniture:					
<i>Tops are wood veneer. For laminate (HPL) tops please specify "L" after the item #.</i>					
90WO-AS	Atlas Case, 40-1/4" high at front	32-5/16 x 21-5/16 x 43-5/16	215	\$2,520.96	
C90WO-AS	Childs Atlas Case, 30-1/4" high at front	32-5/16 x 21-5/16 x 34-9/16	215	\$2,376.31	
90WO-DS	Dictionary Stand, 40-1/4" high at front	24 x 14-1/2 x 43-1/4	75	\$1,135.28	
C90WO-DS	Childs Dictionary Stand, 31-5/8" high at front	25 x 14-1/2 x 35	75	\$1,014.95	
90WO-BD	Book display rack	41-1/2 x 24-1/4 x 33-3/4	150	\$1,625.13	
90WO-BDB	Book display rack with bulletin board	41-1/2 x 24-1/4 x 48-3/4	150	\$2,223.16	
90WO-MAG	Magazine rack	36-5/8 x 16-1/16 x 43-3/4	175	\$1,738.17	

All Classical Selections tables have high pressure laminate tops.
 Wood veneer tops are available at a 30% upcharge, please specify "V" after the item # on your order 27-1/2" or 25", if desired. Standard table height is 29", please specify 27-1/2" or 25", if desired. For 32" height add \$111.00 to the list price.

Classical table legs and headers are available in paints. Wood species for painted components will be maple. Legs and headers will be painted in one specified color. If 2 different colors are desired please call 1-800-221-6638 for an estimate.

Item #	Description	Dimensions			
Leg Style (LS) - Standard Leg					
90WO-2436L-LS		36 x 24 x 29			
90WO-2472L-LS		72 x 24 x 29			
90WO-3060L-LS		60 x 30 x 29			
90WO-3660L-LS		60 x 36 x 29			
90WO-3672L-LS		72 x 36 x 29			
90WO-3672RL-LS	with 5th leg	72 x 36 x 29			
90WO-3690L-LS	with 5th leg	90 x 36 x 29			
90WO-4260L-LS		60 x 42 x 29			
90WO-4290L-LS	with 5th leg	90 x 42 x 29			
90WO-4836L-LS		48 x 36 x 29			
90WO-4872L-LS	with 5th leg	72 x 48 x 29			
90WO-4872RL-LS	with 5th leg	72 x 48 x 29			
90WO-4890L-LS		90 x 48 x 29			
90WO-4242L-LS	square table	42 c 42 x 29			
90WO-42DL-LS	round table	42"dia x 29			
90WO-48DL-LS	round table	48"dia x 29			

					classical selections
Item #	Description	Dimensions			
Leg Style (L1) - Tapered Leg					
90WO-2436L-L1		36 x 24 x 29			
90WO-2472L-L1		72 x 24 x 29			
90WO-3060L-L1		60 x 30 x 29			
90WO-3660L-L1		60 x 36 x 29			
90WO-3672L-L1		72 x 36 x 29			
90WO-3672RL-L1	with 5th leg	72 x 36 x 29			
90WO-3690L-L1		90 x 36 x 29			
90WO-4260L-L1		60 x 42 x 29			
90WO-4290L-L1	with 5th leg	90 x 42 x 29			
90WO-4836L-L1		48 x 36 x 29			
90WO-4872L-L1		72 x 48 x 29			
90WO-4872RL-L1	with 5th leg	72 x 48 x 29			
90WO-4890L-L1	with 5th leg	90 x 48 x 29			
90WO-4242L-L1	square table	42 x 42 x 29			
90WO-42DL-L1	round table	42" dia x 29			
90WO-48DL-L1	round table	48" dia x 29			
Item #	Description	Dimensions	Weight	List \$	
Leg Style (LS) Standard Leg					
Edge Style C-1					
90WO-2436L-LS			75	\$788.86	
90WO-2472L-LS			110	\$1,092.74	
90WO-3060L-LS			125	\$1,318.82	
90WO-3660L-LS			140	\$1,142.58	
90WO-3672L-LS			150	\$1,241.03	
90WO-3672RL-LS			155	\$1,343.13	
90WO-3690L-LS			180	\$1,559.49	
90WO-4260L-LS			150	\$1,251.97	
90WO-4290L-LS			200	\$1,666.46	
90WO-4836L-LS			120	\$1,097.60	
90WO-4872L-LS			185	\$1,434.30	
90WO-4872RL-LS			190	\$1,506.01	
90WO-4890L-LS			240	\$1,719.94	
90WO-4242L-LS			115	\$1,102.46	
90WO-42DL-LS			115	\$1,204.57	
90WO-48DL-LS			120	\$1,266.56	

					classical selections
Item #	Description	Dimensions	Weight	List \$	
Edge Style - C2					
90WO-2436L-LS			75	\$788.86	
90WO-2472L-LS			110	\$1,092.74	
90WO-3060L-LS			125	\$1,318.82	
90WO-3660L-LS			140	\$1,142.58	
90WO-3672L-LS			150	\$1,241.03	
90WO-3672RL-LS			155	\$1,343.13	
90WO-3690L-LS			180	\$1,559.49	
90WO-4260L-LS			150	\$1,251.97	
90WO-4290L-LS			200	\$1,666.46	
90WO-4836L-LS			120	\$1,097.60	
90WO-4872L-LS			185	\$1,434.30	
90WO-4872RL-LS			190	\$1,506.01	
90WO-4890L-LS			240	\$1,719.94	
90WO-4242L-LS			115	\$1,102.46	
90WO-42DL-LS			115	\$1,204.57	
90WO-48DL-LS			120	\$1,266.56	
Edge Style - C3					
90WO-2436L-LS			75	\$824.11	
90WO-2472L-LS			110	\$1,141.36	
90WO-3060L-LS			125	\$1,378.38	
90WO-3660L-LS			140	\$1,196.06	
90WO-3672L-LS			150	\$1,296.95	
90WO-3672RL-LS			155	\$1,403.91	
90WO-3690L-LS			180	\$1,628.78	
90WO-4260L-LS			150	\$1,306.67	
90WO-4290L-LS			200	\$1,740.60	
90WO-4836L-LS			120	\$1,147.44	
90WO-4872L-LS			185	\$1,498.72	
90WO-4872RL-LS			190	\$1,575.30	
90WO-4890L-LS			240	\$1,797.73	
90WO-4242L-LS			115	\$1,153.52	
90WO-42DL-LS			115	\$1,251.97	
90WO-48DL-LS			120	\$1,315.18	

					classical selections	
Item #	Description	Dimensions	Weight	List \$		
Leg Style (L1) tapered leg						
Edge Style - C1						
90WO-2436L-L1			75	\$931.08		
90WO-2472L-L1			110	\$1,234.95		
90WO-3060L-L1			125	\$1,459.82		
90WO-3660L-L1			140	\$1,284.79		
90WO-3672L-L1			150	\$1,383.25		
90WO-3672RL-L1			155	\$1,484.13		
90WO-3690L-L1			180	\$1,700.49		
90WO-4260L-L1			150	\$1,394.19		
90WO-4290L-L1			200	\$1,808.67		
90WO-4836L-L1			120	\$1,238.60		
90WO-4872L-L1			185	\$1,576.51		
90WO-4872RL-L1			190	\$1,648.23		
90WO-4890L-L1			240	\$1,862.16		
90WO-4242L-L1			115	\$1,244.68		
90WO-42DL-L1			115	\$1,346.78		
90WO-48DL-L1			120	\$1,407.56		
Edge Style - C2						
90WO-2436L-L1			75	\$931.08		
90WO-2472L-L1			110	\$1,234.95		
90WO-3060L-L1			125	\$1,459.82		
90WO-3660L-L1			140	\$1,284.79		
90WO-3672L-L1			150	\$1,383.25		
90WO-3672RL-L1			155	\$1,484.13		
90WO-3690L-L1			180	\$1,700.49		
90WO-4260L-L1			150	\$1,394.19		
90WO-4290L-L1			200	\$1,808.67		
90WO-4836L-L1			120	\$1,238.60		
90WO-4872L-L1			185	\$1,576.51		
90WO-4872RL-L1			190	\$1,648.23		
90WO-4890L-L1			240	\$1,862.16		
90WO-4242L-L1			115	\$1,244.68		
90WO-42DL-L1			115	\$1,346.78		
90WO-48DL-L1			120	\$1,407.56		

					classical selections	
Item #	Description	Dimensions	Weight	List \$		
Edge Style - C3						
90WO-2436L-L1			75	\$966.33		
90WO-2472L-L1			110	\$1,283.57		
90WO-3060L-L1			125	\$1,520.60		
90WO-3660L-L1			140	\$1,337.06		
90WO-3672L-L1			150	\$1,439.16		
90WO-3672RL-L1			155	\$1,546.12		
90WO-3690L-L1			180	\$1,770.99		
90WO-4260L-L1			150	\$1,448.88		
90WO-4290L-L1			200	\$1,882.82		
90WO-4836L-L1			120	\$1,288.44		
90WO-4872L-L1			185	\$1,640.93		
90WO-4872RL-L1			190	\$1,717.51		
90WO-4890L-L1			240	\$1,939.95		
90WO-4242L-L1			115	\$1,295.73		
90WO-42DL-L1			115	\$1,394.19		
90WO-48DL-L1			120	\$1,457.39		
Item #	Description	Dimensions				
Leg Style (L2)						
chamfered leg						
90WO-2436L-L2		36 x 24 x 29				
90WO-2472L-L2		72 x 24 x 29				
90WO-3060L-L2		60 x 30 x 29				
90WO-3660L-L2		60 x 36 x 29				
90WO-3672L-L2		72 x 36 x 29				
90WO-3672RL-L2	with 5th leg	72 x 36 x 29				
90WO-3690L-L2		90 x 36 x 29				
90WO-4260L-L2		60 x 42 x 29				
90WO-4290L-L2	with 5th leg	90 x 42 x 29				
90WO-4836L-L2		48 x 36 x 29				
90WO-4872L-L2		72 x 48 x 29				
90WO-4872RL-L2	with 5th leg	72 x 48 x 29				
90WO-4890L-L2	with 5th leg	90 x 48 x 29				
90WO-4242L-L2	square table	42 x 42 x 29				
90WO-42DL-L2	round table	42" dia x 29				
90WO-48DL-L2	round table	48" dia x 29				

					classical selections
Item #	Description	Dimensions			
Leg Style (LS) fluted leg					
90WO-2436L-L3		36 x 24 x 29			
90WO-2472L-L3		72 x 24 x 29			
90WO-3060L-L3		60 x 30 x 29			
90WO-3660L-L3		60 x 36 x 29			
90WO-3672L-L3		72 x 36 x 29			
90WO-3672RL-L3	with 5th leg	72"R x 36 x 29			
90WO-3690L-L3		90 x 36 x 29			
90WO-4260L-L3		60 x 42 x 29			
90WO-4290L-L3	with 5th leg	90 x 42 x 29			
90WO-4836L-L3		48 x 36 x 29			
90WO-4872L-L3		72 x 48 x 29			
90WO-4872RL-L3	with 5th leg	72"R x 48 x 29			
90WO-4890L-L3	with 5th leg	90 x 48 x 29			
90WO-4242L-L3	square table	42 x 42 x 29			
90WO-42DL-L3	round table	42" dia x 29			
90WO-48DL-L3	round table	48" dia x 29			
Item #	Description	Dimensions	Weight	List \$	
Leg Style (L2) chamfered leg					
Edge Style - C1					
90WO-2436L-L2			75	\$931.08	
90WO-2472L-L2			110	\$1,234.95	
90WO-3060L-L2			125	\$1,459.82	
90WO-3660L-L2			140	\$1,284.79	
90WO-3672L-L2			150	\$1,383.25	
90WO-3672RL-L			155	\$1,484.13	
90WO-3690L-L			180	\$1,700.49	
90WO-4260L-L2			150	\$1,394.19	
90WO-4290L-L2			200	\$1,808.67	
90WO-4836L-L2			120	\$1,238.60	
90WO-4872L-L2			185	\$1,576.51	
90WO-4872RL-L2			190	\$1,648.23	
90WO-4890L-L2			240	\$1,862.16	
90WO-4242L-L2			115	\$1,244.68	
90WO-42DL-L2			115	\$1,346.78	
90WO-48DL-L2			120	\$1,407.56	

					classical selections
Item #	Description	Dimensions	Weight	List \$	
Edge Style - C2					
90WO-2436L-L2			75	\$931.08	
90WO-2472L-L2			110	\$1,234.95	
90WO-3060L-L2			125	\$1,459.82	
90WO-3660L-L2			140	\$1,284.79	
90WO-3672L-L2			150	\$1,383.25	
90WO-3672RL-L			155	\$1,484.13	
90WO-3690L-L			180	\$1,700.49	
90WO-4260L-L2			150	\$1,394.19	
90WO-4290L-L2			200	\$1,808.67	
90WO-4836L-L2			120	\$1,238.60	
90WO-4872L-L2			185	\$1,576.51	
90WO-4872RL-L2			190	\$1,648.23	
90WO-4890L-L2			240	\$1,862.16	
90WO-4242L-L2			115	\$1,244.68	
90WO-42DL-L2			115	\$1,346.78	
90WO-48DL-L2			120	\$1,407.56	
Edge Style - C3					
90WO-2436L-L2			75	\$966.33	
90WO-2472L-L2			110	\$1,283.57	
90WO-3060L-L2			125	\$1,520.60	
90WO-3660L-L2			140	\$1,337.06	
90WO-3672L-L2			150	\$1,439.16	
90WO-3672RL-L			155	\$1,546.12	
90WO-3690L-L			180	\$1,769.78	
90WO-4260L-L2			150	\$1,448.88	
90WO-4290L-L2			200	\$1,882.82	
90WO-4836L-L2			120	\$1,288.44	
90WO-4872L-L2			185	\$1,640.93	
90WO-4872RL-L2			190	\$1,717.51	
90WO-4890L-L2			240	\$1,939.95	
90WO-4242L-L2			115	\$1,295.73	
90WO-42DL-L2			115	\$1,394.19	
90WO-48DL-L2			120	\$1,457.39	

					classical selections
Item #	Description	Dimensions	Weight	List \$	
Leg Style (L3) fluted leg					
Edge Style - C1					
90WO-2436L-L3			75	\$931.08	
90WO-2472L-L3			110	\$1,234.95	
90WO-3060L-L3			125	\$1,459.82	
90WO-3660L-L3			140	\$1,284.79	
90WO-3672L-L3			150	\$1,383.25	
90WO-3672RL-L3			155	\$1,484.13	
90WO-3690L-L3			180	\$1,700.49	
90WO-4260L-L3			150	\$1,394.19	
90WO-4290L-L3			200	\$1,808.67	
90WO-4836L-L3			120	\$1,238.60	
90WO-4872L-L3			185	\$1,576.51	
90WO-4872RL-L3			190	\$1,648.23	
90WO-4890L-L3			240	\$1,862.16	
90WO-4242L-L3			115	\$1,244.68	
90WO-42DL-L3			115	\$1,346.78	
90WO-48DL-L3			120	\$1,407.56	
Edge Style - C2					
90WO-2436L-L3			75	\$931.08	
90WO-2472L-L3			110	\$1,234.95	
90WO-3060L-L3			125	\$1,459.82	
90WO-3660L-L3			140	\$1,284.79	
90WO-3672L-L3			150	\$1,383.25	
90WO-3672RL-L3			155	\$1,484.13	
90WO-3690L-L3			180	\$1,700.49	
90WO-4260L-L3			150	\$1,394.19	
90WO-4290L-L3			200	\$1,808.67	
90WO-4836L-L3			120	\$1,238.60	
90WO-4872L-L3			185	\$1,576.51	
90WO-4872RL-L3			190	\$1,648.23	
90WO-4890L-L3			240	\$1,862.16	
90WO-4242L-L3			115	\$1,244.68	
90WO-42DL-L3			115	\$1,346.78	
90WO-48DL-L3			120	\$1,407.56	

classical selections				
Item #	Description	Dimensions	Weight	List \$
Edge Style - C3				
90WO-2436L-L3			75	\$931.08
90WO-2472L-L3			110	\$1,283.57
90WO-3060L-L3			125	\$1,520.60
90WO-3660L-L3			140	\$1,337.06
90WO-3672L-L3			150	\$1,439.16
90WO-3672RL-L3			155	\$1,546.12
90WO-3690L-L3			180	\$1,769.78
90WO-4260L-L3			150	\$1,448.88
90WO-4290L-L3			200	\$1,882.82
90WO-4836L-L3			120	\$1,288.44
90WO-4872L-L3			185	\$1,640.93
90WO-4872RL-L3			190	\$1,717.51
90WO-4890L-L3			240	\$1,939.95
90WO-4242L-L3			115	\$1,295.73
90WO-42DL-L3			115	\$1,394.19
90WO-48DL-L3			120	\$1,457.39
<i>Note: for (L3B) fluted leg with brass shoe, add \$200 to L3 price</i>				

<i>All Medallion 82 tables have high pressure laminate tops. Wood veneer tops are available at a 30% upcharge, please specify "V" after the item # on your order.</i>					
<i>Standard table height is 29". Please specify 27-1/2" or 25", if desired. For 32" height please add \$152 to list price.</i>					
Item #	Description	Dimensions	Weight	List \$	
rectangular:					
82WO-2436L		36 x 24 x 29	75	\$882.46	
82WO-2472L		72 x 24 x 29	110	\$1,284.79	
82WO-2472-CRTL	stand up height	72 x 24 x 39	110	\$1,358.94	
82WO-3060L		60 x 30 x 29	125	\$1,382.03	
82WO-3660L		60 x 36 x 29	140	\$1,312.75	
82WO-3672L		72 x 36 x 29	150	\$1,437.94	
82WO-3690L	with 5th leg	90 x 36 x 29	180	\$1,806.24	
82WO-4260L		60 x 42 x 29	150	\$1,416.06	
82WO-4290L	with 5th leg	90 x 42 x 29	200	\$1,902.27	
82WO-4836L		36 x 48 x 29	120	\$1,203.35	
82WO-4872L		72 x 48 x 29	185	\$1,611.76	
82WO-4872RL	with 5th leg	72 x 48 x 29	190	\$1,740.60	
82WO-4890L	with 5th leg	90 x 48 x 29	240	\$1,952.10	
square:					
82WO-4242L		42 x 42 x 29	115	\$1,222.80	
82WO-3636L		36 x 36 x 24	120	\$1,085.45	
round:					
82WO-42DL		42 dia x 29	115	\$1,358.94	
82WO-48DL		48 dia x 29	120	\$1,394.19	
slope top table:					
82WO-SLL		78 x 31 x 25	200	\$2,016.52	
trapezoid table:					
82WO-TRAP1		60 x 30 x 30	130	\$1,907.13	

Item #	Description	Dimensions	Weight	List \$
bench:				
82WO-B-14L	Bench tops are standard in solid red oak or maple wood construction.	69 x 15 x 14	105	\$1,005.22
high back index rack tables:				
<i>Units include index rack and table. Standard table height is 29". Please specify 27-/12" or 25", if desired. For 32" high please add \$152 to list price. Tables have high pressure laminate tops. For wood veneer tops please specify "V" after the item #.</i>				
82WO-2472L-R - R=radiused rack	SF Rack - 2 places	72 x 24 x 48-3/8	177	\$2,192.77
82WO-4260L-R - R=radiused rack	DF Rack - 4 places	60 x 42 x 48-3/8	236	\$2,522.18
82WO-4872RL-R - R=radiused rack	DF Rack - 4 places, w/5th leg	72 x 48 x 48-3/8	282	\$2,913.57
82WO-4890L-R - R=radiused rack	DF Rack - 6 places, w/5th leg	90 x 48 x 48-3/8	356	\$3,531.05
modular carrels:				
<i>Worksurfaces are high pressure laminate. For wood veneer tops please specify a "V" after the item #. Modular carrel shelves do not include a front fascia. Fascias sold separately</i>				
SF = Single Faced units DF = Double Faced units				
82WO-S1L	SF Carrel-Starter	36-5/16 x 31 x 48	120	\$1,334.63
82WO-S2L	SF Carrel -Adder	36-9/16 x 31 x 48	95	\$923.78
82WO-D1L	DF Carrel-Starter	38-1/4 x 60-/12 x 48	200	\$2,111.33
82WO-D2L	DF Carrel-Adder	36-9/16 x 60-1/2 x 48	120	\$1,606.90
82WO-PW4L	Pinwheel Carrel	67-9/16 x 67-9/16 x 48	420	\$3,781.44
terminal station units:				
<i>TSU's are oversized modular carrels to accomodate computer equipment. Worksurfaces are high pressure laminate. For wood veneer tops, please specify "V" after the item #.</i>				

Item #	Description	Dimensions	Weight	List \$
36" wide single faced tsu units:				
82WO-SFTSU-36	SF TSU Starter	38-1/4 x 33-1/4 x 48	144	\$1,323.69
82WO-SFX-TSU-36	SF TSU Adder	37-1/16 x 33-1/4 x 48	124	\$1,010.09
82WO-SF-TSU-36S	SF TSU Starter with shelf	38-1/4 x 33-1/4 x 48	158	\$1,501.15
82WO-SFX TSU-36S	SF TSU Adder with shelf	37-1/16 x 33-1/4 x 48	138	\$1,175.39
36" wide double faced:				
82WO-DF-TSU-36	DF TSU Starter	38-1/4 x 61 x 48	200	\$2,403.06
82WO-DFX-TSU-36	DF TSU Adder	37-1/16 x 61 x 48	170	\$1,757.62
82WO-DF-TSU-36S	DF TSU Starter shelf	38-1/4 x 61 x 48	215	\$2,759.20
82WO-DFX-TSU-36S	DF TSU Adder shelf	37-1/16 x 61 x 48	184	\$2,111.33
42" wide single faced:				
82WO-SF TSU-1L	SF TSU Starter	44-1/4 x 33-1/4 x 48	157	\$1,377.17
82WO-SFX TSU-1L	SF TSU Adder	43-1/4 x 33-1/4 x 48	137	\$1,056.27
82WO-SF TSU-1SL	SF TSU Starter with shelf	44-1/4 x 33/14 x 48	171	\$1,553.42
82WO-SFX TSU-1SL	SF TSU Adder with shelf	43-1/4 x 33-1/4 x 48	151	\$1,187.55
42" wide double faced:				
82WO-DF TSU-1L	DF Starter	44-1/4 x 61 x 48	215	\$2,448.03
82WO-DFX TSU-1L	DF Adder	43-1/4 x 61 x 48	185	\$1,817.18
82WO-DF TSU-1SL	DF TSU Starter with shelf	44-1/4 x 61 x 48	230	\$2,666.82
82WO-DFX TSU-1SL	DF TSU Adder with shelf	43-1/4 x 61 x 48	199	\$2,066.36
48" wide single faced:				
82WO-SF TSU-2L	SF TSU Starter	50-9/16 x 33-1/4 x 48	170	\$1,475.62
82WO-SFX TSU-2L	SF TSU Adder	49-1/4 x 33-1/4 x 48	150	\$1,149.87
82WO SF TSU-2SL	SF TSU Starter with shelf	50-9/16 x 33-1/4 x 48	185	\$1,649.44
82WO SFX TSU-2SL	SF TSU Adder with shelf	49-1/4 x 33-1/4 x 48	165	\$1,259.26
48" wide double faced:				
82WO-DF TSU-2L	DF TSU Starter	50-9/16 x 61 x 48	230	\$2,596.32
82WO-DFX TSU-2L	DF TSU Adder	49-1/4 x 61 x 48	203	\$1,983.71
82WO -DF TSU-2SL	DF TSU Starter with shelf	50-9/16 x 61 x 48	245	\$2,913.57
82WO-DFX TSU-2SL	DF TSU Adder with shelf	49-1/4 x 61 x 48	218	\$2,248.69

Item #	Description	Dimensions	Weight	List \$
cluster carrels:				
<i>All Medallion 82 tables have high pressure laminate tops. Wood veneer tops are available at a 30% upcharge, please specify "V" after the item # on your order.</i>				
<i>CL-24 shelves are high pressure laminate (HPL) CL-12 shelves are solid oak</i>				
82WO-3CL	3 Place Cluster Carrel	93-7/16 x 54	650	\$4,581.24
82WO-6CL	6 Place Cluster Carrel	93-7/16 x 54	1185	\$8,039.36
accessories:				
LBA-WSF-30	Fascia For Carrel Shelf (TSU's come w/fascia)	36 x 1-3/4 x 3/4	3	\$30.39
LBA-CL-24S	CD/ROM Shelf (to be used above worksurface top)	24 x 50	-	\$291.72
LBA-CL-12S	Storage Shelf (to be used just below worksurface top)	-	15	\$218.79
technical furniture:				
<i>Tops are wood veneer. For laminate (HPL) tops please specify "L" after item #.</i>				
82WO-AS	Atlas Case - wood top	35 x 21-7/8 x 44-1/2	215	\$2,835.78
82WO-DS	Dictionary Stand - wood top	26 x 16-1/4 x 44-1/2	75	\$1,452.53
82WO-BD	Book Display Rack	33-1/4 x 41-1/2 x 24-1/4	130	\$1,853.65
82WO-BDB	BK Display w/ Bulletin board	42 x 36 x 48-1/4	150	\$2,501.51
82WO-MAG	Magazine Rack	36-5/8 x 16-11/16 x 43-3/4	165	\$2,008.02

All Mentor tables have high pressure laminate tops. Wood veneer tops are available at a 30% upcharge, please specify "V" after the item # on your order. Standard table height is 29", please specify 27-1/2" or 25", if desired.

Item #	Description	Dimensions	Weight	List \$
rectangular:				
82WO-2436L-M2R2		26 x 24 x 29	75	\$969.97
82WO-2472L-M2R2		72 x 24 x 29	110	\$1,414.85
82WO-2472L-M2R2CRT	Stand-up height	72 x 24 x 39	110	\$1,448.88
82WO-3060L-M2R2		60 x 30 x 29	125	\$1,519.38
82WO-3660L-M2R2		60 x 36 x 29	140	\$1,445.24
82WO-3672L-M2R2		72 x 36 x 29	150	\$1,580.16
82WO-3690L-M2R2	with 5th leg	90 x 36 x 29	180	\$1,984.92
82WO-4260L-M2R2		60 x 42 x 29	150	\$1,504.80
82WO-4290L-M2R2	with 5th leg	90 x 42 x 29	240	\$2,146.58
82WO-4836L-M2R2		36 x 48 x 29	120	\$1,323.69
82WO-4872L-M2R2		72 x 48 x 29	185	\$1,772.21
82WO-4872RL-M2R2	with 5th leg	72 x 48 x 29	190	\$1,914.42
82WO-4890L-M2R2	with 5th leg	90 x 48 x 29	240	\$2,146.58
square:				
82WO-4242L-M2R2		42 x 42 x 29	115	\$1,344.35
round:				
82WO-42DL-M2R2		42" dia x 29	115	\$1,642.15
82WO-48DL-M2R2		48" dia x 29	120	\$1,772.21

mentor - carrels					
<i>All Mentor tables have high pressure laminate tops. Wood veneer tops are available at a 30% upcharge, please specify "V" after the item # on your order. Modular carrel shelves do not include a front fascia</i>					
Item #	Description	Dimensions	Weight	List \$	
30" modular post and panel carrels					
single faced:					
MCWO-SF-30	SF - Starter	32- 9/16 x 30 x 48	145	\$1,396.62	
MCWO-SFX-30	SF - Adder	32- 9/16 x 30 x 48	114	\$1,063.57	
MCWO-SF-30S	SF - Starter with Shelf	32- 9/16 x 30 x 48	155	\$1,506.01	
MCWO-SFX-30S	SF - Adder with Shelf	32- 9/16 x 30 x 48	114	\$1,174.18	
double faced:					
MCWO-DF-30	DF - Starter	32- 9/16 53-1/4 x 48	190	\$2,437.09	
MCWO-DFX-30	DF - Adder	32- 9/16 53-1/4 x 48	152	\$1,828.12	
MCWO-DF-30S	DF - Starter with shelf	32- 9/16 53-1/4 x 48	200	\$2,804.17	
MCWO-DFX-30S	DF - Adder with shelf	32- 9/16 53-1/4 x 48	162	\$2,048.13	
<i>All Mentor tables have high pressure laminate tops. Wood veneer tops are available at a 30% upcharge, please specify "V" after the item # on your order. Modular carrel shelves do not include a front fascia</i>					
36" modular post and panel carrels:					
single faced:					
MCWO-SF-36	SF - Starter	38-9/16 x 30 x 48	152	\$1,470.76	
MCWO-SFX	SF - Adder	38-9/16 x 30 x 48	120	\$1,118.27	
MCWO-SF-36S	SF - Starter with Shelf	38-9/16 x 30 x 48	164	\$1,580.16	
MCWO-SFX-36S	SF - Adder with Shelf	38-9/16 x 30 x 48	132	\$1,226.45	
double faced:					
MCWO-DF-36	DF - Starter	38-9/16 x 53-14 x 48	200	\$2,564.72	
MCWO-DFX-36	DF - Adder	38-9/16 x 53-14 x 48	160	\$1,924.15	
MCWO-DF-36S	DF - Starter with shelf	38-9/16 x 53-14 x 48	212	\$2,785.94	
MCWO-DFX-36S	DF - Adder with shelf	38-9/16 x 53-14 x 48	172	\$2,144.15	

Item #	Description	Dimensions	Weight	List \$
<i>All Mentor tables have high pressure laminate tops. Wood veneer tops are available at a 30% upcharge, please specify "V" after the item # on your order. Modular carrel shelves do not include a front fascia</i>				
42" modular post and panel carrels:				
single faced:				
MCWO-SF-42	SF - Starter	44-9/16 x 30 x 48	180	\$1,565.57
MCWO-SFX-42	SF - Adder	44-9/16 x 30 x 48	145	\$1,191.20
MCWO-SF-42S	SF - Starter with Shelf	44-9/16 x 30 x 48	194	\$1,690.77
MCWO-SFX-42S	SF - Adder with Shelf	44-9/16 x 30 x 48	159	\$1,318.82
double faced:				
MCWO-DF-42	DF - Starter	44-9/16 x 53-1/4 x 48	240	\$2,730.03
MCWO-DFX-42	DF - Adder	44-9/16 x 53-1/4 x 48	195	\$2,048.13
MCWO-DF-42S	DF - Starter with shelf	44-9/16 x 53-1/4 x 48	254	\$2,981.64
MCWO-DFX-42S	DF - Adder with shelf	44-9/16 x 53-1/4 x 48	209	\$2,299.74
<i>All Mentor tables have high pressure laminate tops. Wood veneer tops are available at a 30% upcharge, please specify "V" after the item # on your order. Modular carrel shelves do not include a front fascia.</i>				
48" modular post and panel carrels:				
single faced:				
MCWO-SF-48	SF - Starter	50-9/16 x 30 x 48	200	\$1,679.83
MCWO-SFX-48	SF - Adder	50-9/16 x 30 x 48	165	\$1,296.95
MCWO-SF-48S	SF - Starter with Shelf	50-9/16 x 30 x 48	215	\$1,819.61
MCWO-SFX-48S	SF - Adder with Shelf	50-9/16 x 30 x 48	180	\$1,437.94
double faced:				
MCWO-DF-48	DF - Starter	50-9/16 x 53-1/4 x 48	265	\$2,906.28
MCWO-DFX-48	DF - Adder	50-9/16 x 53-1/4 x 48	215	\$2,223.16
MCWO-DF-48S	DF - Starter with shelf	50-9/16 x 53-1/4 x 48	280	\$3,188.27
MCWO-DFX-48S	DF - Adder with shelf	50-9/16 x 53-1/4 x 48	230	\$2,503.94

All Dewey Collection tables have high pressure laminate tops. Wood veneer tops are available at a 30% upcharge, please specify "V" after the item # on your order. Standard table height is 29", please specify 27-1/2" or 25" if desired. For 32" clear height please add \$111 to list price and specify 32" on order.					
Item #	Description	Dimensions	Weight	List \$	
Rectangular with trim:					
DCWO-2436LF		36 x 24 x 29	75	\$1,163.24	
DCWO-2472LF		72 x 24 x 29	110	\$1,695.63	
DCWO-CRTL	stand up height		140	\$1,792.87	
DCWO-3060LF		60 x 30 x 29	125	\$1,823.26	
DCWO-3660LF		60 x 36 x 29	140	\$1,732.10	
DCWO-3672LF		72 x 36 x 29	150	\$1,896.19	
DCWO-3672RLF	with 5th leg	72 x 36 x 29	155	\$2,297.31	
DCWO-3690LF	with 5th leg	90 x 36 x 29	180	\$2,382.39	
DCWO-4260LF		60 x 42 x 29	150	\$1,868.23	
DCWO-4290LF	with 5th leg	90 x 42 x 29	120	\$2,510.02	
DCWO-4836LF		36 x 38 x 29	120	\$1,587.45	
DCWO-4872LF		72 x 48 x 29	185	\$2,125.92	
DCWO-4872RLF	with 5th leg	72 x 48 x 29	190	\$2,175.76	
DCWO-4890LF	with 5th leg	90 x 48 x 29	240	\$2,440.74	
Rectangular without trim:					
DCWO-2436L		36 x 24 x 29	75	\$929.86	
DCWO-2472L		72 x 24 x 29	110	\$1,352.86	
DCWO-CRTL	stand up height	72 x 24 x 39	140	\$1,430.65	
DCWO-3060L		60 x 30 x 29	125	\$1,454.96	
DCWO-3660L		60 x 36 x 29	140	\$1,382.03	
DCWO-3672L		72 x 36 x 29	150	\$1,516.95	
DCWO-3672RL	with 5th leg	72 x 36 x 29	155	\$1,837.85	
DCWO-3690L	with 5th leg	90 x 36 x 29	180	\$1,905.91	
DCWO-4260L		60 x 42 x 29	150	\$1,493.86	
DCWO-4290L	with 5th leg	90 x 42 x 29	120	\$2,008.02	
DCWO-4836L		36 x 48 x 29	120	\$1,270.20	
DCWO-4872L		72 x 48 x 29	185	\$1,700.49	
DCWO-4872RL	with 5th leg	72 x 48 x 29	190	\$1,837.85	
DCWO-4890L	with 5th leg	90 x 48 x 29	240	\$2,060.28	

Item #	Description	Dimensions	Weight	List \$	
Round:					
DCWO-42DL		42 dia x 29	115	\$1,358.94	
DCWO-48DL		48 dia x 29	120	\$1,470.76	
Column surround round table:					
DCWO-84CSL		84 dia.	150	\$4,328.14	
DCWO-84CSL-SE	with 3/8" external oak binder	84 dia.	150	\$4,621.62	
Square with trim:					
DCWO-3636LF		36 x 36 x 29	115	\$1,433.08	
DCWO-4242LF		42 x 42 x 29	145	\$1,614.19	
Square without trim:					
DCWO-3636L		36 x 36 x 29	95	\$1,146.22	
DCWO-4242L		42 x 42 x 29	115	\$1,290.87	
Slope top table with trim:					
DCWO-SLLF		78 x 31 x 25	200	\$2,661.96	
Slope top table without trim:					
DCWO-SLL		78 x 31 x 25	165	\$2,129.57	
Trapezoid table:					
DCWO-TRAP1		60 x 30 x 30	130	\$2,017.74	
<i>Bench tops are standard in solid red oak or maple wood construction</i>					
Benches with trim:					
DCWO-B-14LF		69 x 15 x 14	145	\$748.75	
DCWO-B-17LF		69 x 15 x 17	165	\$1,327.33	
Benches without trim:					
DCWO-B-14L		69 x 15 x 14	105	\$698.92	
DCWO-B-17L		69 x 15 x 17	125	\$1,061.14	

Item #	Description	Dimensions	Weight	List \$	
Modular post and panel style carrels:					
<i>Modular carrel shelves do not include a front fascia. To purchase a fascia please see page D-6</i>					
Single faced:					
DCWO-1SF	SF Carrel Starter	38 x 26 x 48-1/2	152	\$1,574.08	
DCWO-1SFX	SF Carrel Adder	37 x 26 x 48-1/2	120	\$1,163.24	
Double faced:					
DCWO-2DF	DF Carrel Starter	38 x 48-1/2 x 48-1/2	200	\$2,761.63	
DCWO-2DFX	DF Carrel Adder	37 x 48-1/2 x 48-1/2	160	\$2,174.54	
Pinwheel carrel:					
DCWO-4PW	Pinwheel Carrel	74-7/8 x 74-7/8 x 48-1/2	525	\$4,403.78	
Terminal Station Units:					
<i>TSU's are oversized modular carrels to accommodate computer equipment. Worksurfaces are high pressure laminate. TSU shelves have a front fascia included</i>					
38" wide single faced tsu units:					
DCWO-SF-TSU-36	SF-TSU starter	38 x 32 x 48	160	\$1,854.86	
DCWO-SFX-TSU-36	SF-TSU adder	36-5/8 x 32 x 48	125	\$1,307.88	
DCWO-SF-TSU-36S	SF-TSU starter shelf	38 x 32 x 48	174	\$2,076.08	
DCWO-SFX-TSU-36S	SF-TSU adder shelf	36-5/8 x 32 x 48	139	\$1,581.37	
38" wide double faced:					
DCWO-DF-TSU-36	DF-TSU starter	38 x 62 x 48	220	\$3,091.03	
DCWO-DFX-TSU-36	DF-TSU adder	36-5/8 x 62 x 48	175	\$2,031.11	
DCWO-DF-TSU-36S	DF-TSU starter shelf	38 x 62 x 48	206	\$3,532.26	
DCWO-DFX-TSU-36S	DF-TSU adder shelf	36-5/8 x 62 x 48	131	\$2,472.34	

Item #	Description	Dimensions	Weight	List \$	
44" wide single faced:					
DCWO-SF-TSU-1	SF starter	44-1/4 x 32 x 48-1/2	180	\$1,789.23	
DCWO-SFX-TSU-1	SF adder	43-1/8 x 32 x 48-1/2	145	\$1,268.99	
DCWO-SF-TSU-1S	SF starter with shelf	44-1/4 x 32 x 48-1/2	194	\$1,930.22	
DCWO-SFX-TSU-1S	SF adder with shelf	43-1/8 x 32 x 48-1/2	159	\$1,419.71	
44" wide double faced:					
DCWO-DF-TSU-1	DF starter	44-1/4 x 62 x 48-1/2	240	\$2,974.34	
DCWO-DFX-TSU-1	DF adder	43-1/8 x 62 x 48-1/2	195	\$1,991.00	
DCWO-DF-TSU-1S	DF starter with shelf	44-1/4 x 62 x 48-1/2	254	\$3,268.50	
DCWO-DFX-TSU-1S	DF adder with shelf	43-1/8 x 62 x 48-1/2	209	\$2,286.37	
50" wide single faced:					
DCWO-SF-TSU-2	SF starter	50-1/4 x 32 x 48-1/2	200	\$1,852.43	
DCWO-SFX-TSU-2	SF adder	49-1/8 x 32 x 48-1/2	165	\$1,380.82	
DCWO-SF-TSU-2S	SF starter with shelf	50-1/4 x 32 x 48-1/2	215	\$1,424.57	
DCWO-SFX-TSU-2S	SF adder with shelf	49-1/8 x 32 x 48-1/2	180	\$1,520.60	
50" wide double faced:					
double faced:					
DCWO-DF-TSU-2	DF starter	50-1/4 x 62 x 48-1/2	265	\$3,117.77	
DCWO-DFX-TSU-2	DF adder	49-1/8 x 62 x 48-1/2	215	\$2,134.43	
DCWO-DF-TSU-2S	DF starter with shelf	50-1/4 x 62 x 48-1/2	280	\$3,452.04	
DCWO-DFX-TSU-2S	DF adder with shelf	49-1/8 x 62 x 48-1/2	230	\$2,471.12	
Accessories:					
LBA-WSF-30	Fascia for study carrel shelf	35-3/4 x 1-3/4 x 3/4	3	\$30.39	
Cluster carrels:					
<i>Worksurfaces are high pressure laminate.</i>					
<i>For wood veneer tops please specify "V" after the item #. CL-24 shelves laminate (HPL).</i>					
<i>CL012 shelves are solid oak</i>					
DCWO-3CL	3 Place cluster carrel	54 x 111-7/16 x 54	650	\$5,021.26	
DCWO-6CL	6 Place cluster carrel	54 x 111-7/16 x 54	1175	\$8,416.17	

Item #	Description	Dimensions	Weight	List \$
Accessories:				
LBA-CL-24 (to be used above worksurface top)	CD-ROM Laminate Shelf	42 x 24 x 1-1/4	50	\$329.40
LBA-CL-12 (to be used above worksurface top)	Oak Storage Shelf	42 x 12 x 1-1/4	15	\$246.75
Technical Furniture:				
DCWO-ASV	Atlas Case with wood top	35 x 21-7/8 x 44-1/4		\$3,744.97
DCWO-ASL	Atlas Case with HPL top	35 x 21-7/8 x 44-1/4		\$3,841.00
DCWO-DSV	Dictionary Stand - wood top	26 x 15-1/4 x 44-1/2		\$1,965.47
DCWO-DSL	Dictionary Stand - HPL top	26 x 15-1/4 x 44-1/2		\$2,025.03
DCWO-BD	Book Display Rack	44 x 25 x 33-1/2		\$2,439.52
DCWO-BDB	Book Display w/bulletin	44 x 25 x 48-1/2		\$2,934.23
Wood Shelving with 32mm construction				
single faced unit with shelves:				
SHDC-4208-OV	42" Shelf Unit	8 x 1-1/8 x 42	54	\$267.41
SHDC-4210-OV	42" Shelf Unit	10 x 1-1/8 x 42	67	\$267.41
SHDC-4212-OV	42" Shelf Unit	12 x 1-1/8 x 42	78	\$267.41
SHDC-6008-OV	60-1/2" SF Shelf Unit	8 x 1-1/18 x 60-1/2	76	\$267.41
SHDC-6010-OV	60-1/2" SF Shelf Unit	10 x 1-1/8 x 60-1/2	96	\$267.41
SHDC-6012-OV	60-1/2" SF Shelf Unit	12 x 1-1/8 x 60-1/2	110	\$267.41
SHDC-8208-OV	82" SF Shelf Unit-Starter	8 x 1-1/8 x 82	98	\$267.41
SHDC-8210-OV	82" SF Shelf Unit-Starter	10 x 1-1/8 x 82	126	\$267.41
SHDC-8212-OV	82" SF Shelf Unit-Starter	12 x 1-1/8 x 82	145	\$267.41
SHDC-9010-OV	90" SF Shelf Unit-Starter	10 x 1-1/8 x 90	130	\$267.41
SHDC-9012-OV	90" SF Shelf Unit-Starter	12 x 1-1/8 x 90	152	\$267.41

Item #	Description	Dimensions	Weight	List \$
double faced unit with shelves:				
SHDC-4216-OV	42" DF Shelf Unit-Starter	16 x 1-1/8 x 42	126	\$326.97
SHDC-4220-OV	42" DF Shelf Unit-Starter	20 x 1-1/8 x 42	124	\$326.97
SHDC-4224-OV	42" DF Shelf Unit-Starter	24 x 1-1/8 x 42	146	\$326.97
SHDC-6016-OV	60-1/2" DF Shelf Unit-Starter	16 x 1-1/8 x 60-1/2	159	\$326.97
SHDC-6020-OV	60-1/2" DF Shelf Unit-Starter	20 x 1-1/8 x 60-1/2	203	\$326.97
SHDC-6024-OV	60-1/2" DF Shelf Unit-Starter	24 x 1-1/8 x 60-1/2	238	\$326.97
SHDC-8216-OV	82" DF Shelf Unit-Starter	16 x 1-1/8 x 82	223	\$326.97
SHDC-8220-OV	82" DF Shelf Unit-Starter	20 x 1-1/8 x 82	194	\$326.97
SHDC-8224-OV	82" DF Shelf Unit-Starter	24 x 1-1/8 x 82	226	\$326.97
SHDC-9020-OV	90" DF Shelf Unit-Starter	20 x 1-1/8 x 90	231	\$326.97
SHDC-9024-OV	90" DF Shelf Unit-Starter	24 x 1-1/8 x 90	272	\$326.97
hinged periodical shelving:				
<i>Hinged periodical shelving comes with an inverted 2 piece top, four adjustable flat shelves, five hinged display shelves and a 2-piece flat base shelf.</i>				
<i>Moon plate option designate with a W in product # (ie STDCW), add \$76 to base price.</i>				
STDC-8216P-OV	Starter	16 x 35-7/8 x 82		\$326.97
Wood End Panels for steel bookcases				
<i>Wood end panels for steel bookcases may be reduced in height and/or width to fit specific steel components. End panels are wood veneer on both faces (over particle board) and veneer edging.</i>				
<i>Moon plate option designate with a W in product # prefix (ie. WSTDC), add \$38 for 1/2 moon, \$48 for full moon to base price</i>				
for 42" high units:				
STDC-E-4208-OV	8"	9-3/8 x 1-1/8 x 42-3/4	15	\$392.61
STDC-E-4209-OV	9"	10-3/8 x 1-1/8 x 42-3/4	17	\$392.61
STDC-E-4210-OV	10"	11-3/8 x 1-1/8 x 42-3/4	19	\$408.41
STDC-E-4212-OV	12"	13-3/8 x 1-1/8 x 42-3/4	22	\$408.41
STDC-E-4213-OV	13" (lettersize)	14-3/8 x 1-1/8 x 42-3/4	23	\$444.88
STDC-E-4216-OV	16"	16-3/4 x 1-1/8 x 42-1/2	27	\$444.88

Item #	Description	Dimensions	Weight	List \$
STDC-E-4218-OV	18"	18-3/4 x 1-1/8 x 42-1/2	30	\$482.56
STDC-E-4220-OV	20"	20-3/4 x 1-1/8 x 42-1/2	33	\$519.02
STDC-E-4224-OV	24"	24-3/4 x 1-1/8 x 42-1/2	40	\$563.99
STDC-E-4226-OV	26" (lettersize)	26-3/4 x 1/18 x 42-1/2	43	\$585.87
Wood End Panels for steel bookcases				
for 66" high units:				
STDC-E-6608-OV	8"	9-3/8 x 1-1/8 x 66-3/4	24	\$466.75
STDC-E-6609-OV	9"	10-3/8 x 1-1/8 x 66-3/4	27	\$466.75
STDC-E-6610-OV	10"	11-3/8 x 1-1/8 x 66-3/4	30	\$482.56
STDC-E-6612-OV	12"	13-3/8 x 1-1/8 x 66-3/4	34	\$482.56
STDC-E-6613-OV	13" (lettersize)	14-3/8 x 1-1/8 x 66-3/4	36	\$533.61
STDC-E-6616-OV	16"	16-3/4 x 1-1/8 x 66-1/2	42	\$533.61
STDC-E-6618-OV	18"	18-3/4 x 1-1/8 x 66-1/2	47	\$578.58
STDC-E-6620-OV	20"	20-3/4 x 1-1/8 x 66-1/2	52	\$652.73
STDC-E-6624-OV	24"	24-3/4 x 1-1/8 x 66-1/2	62	\$726.87
STDC-E-6626-OV	26" (lettersize)	26-3/4 x 1-1/8 x 66-1/2	67	\$770.63
for 84" high units:				
STDC-E-8408-OV	8"	9-3/8 x 1-1/8 x 84-3/4	30	\$526.31
STDC-E-8409-OV	9"	10-3/8 x 1-1/8 x 84-3/4	34	\$526.31
STDC-E-8410-OV	10"	11-3/8 x 1-1/8 x 84-3/4	38	\$540.90
STDC-E-8412-OV	12"	13-3/8 x 1-1/8 x 84-3/4	43	\$540.90
STDC-E-8413-OV	13" (lettersize)	14-3/8 x 1-1/8 x 84-3/4	46	\$593.17
STDC-E-8416-OV	16"	16-3/4 x 1-1/8 x 84-1/2	53	\$593.17
STDC-E-8418-OV	18"	18-3/4 x 1-1/8 x 84-1/2	59	\$638.14
STDC-E-8420-OV	20"	20-3/4 x 1-1/8 x 84-1/2	66	\$712.29
STDC-E-8424-OV	24"	24-3/4 x 1-1/8 x 84-1/2	79	\$785.22
STDC-E-8426-OV	26" (lettersize)	26-3/4 x 1-1/8 x 84-1/2	85	\$830.19
for 90" high units:				
STDC-E-9008-OV	8"	9-3/8 x 1-1/8 x 90-3/4	32	\$519.02
STDC-E-9009-OV	9"	10-3/8 x 1-1/8 x 90-3/4	35	\$519.02
STDC-E-9010-OV	10"	11-3/8 x 1-1/8 x 90-3/4	38	\$556.70
STDC-E-9012-OV	12"	13-3/8 x 1-1/8 x 90-3/4	44	\$556.70

Item #	Description	Dimensions	Weight	List \$
STDC-E-9013-OV	13" (lettersize)	14-3/8 x 1-1/8 x 90-3/4	47	\$638.14
STDC-E-9016-OV	16"	16-3/4 x 1-1/8 x 90-3/4	54	\$638.14
STDC-E-9018-OV	18"	18-3/4 x 1-1/8 x 90-1/2	60	\$696.49
STDC-E-9020-OV	20"	20-3/4 x 1-1/8 x 90-1/2	66	\$741.46
STDC-E-9024-OV	24"	24-3/4 x 1-1/8 x 90-1/2	78	\$777.92
STDC-E-9026-OV	26" (lettersize)	26-3/4 x 1-1/8 x 90-1/2	84	\$815.60

C Series Shelving is constructed of solid red oak end panels 3/4" thick. 32mm construction					
Single Faced Units with Shelves					
<i>SF Shelving comes with a wood top, a flat fixed base shelf and adjustable shelves. Shelves are 3/4" thick. All SF units are furnished with 2 anchors for wall attachment.</i>					
Item #	Description	Dimensions	Weight	List \$	
42"H with 2 adjustable shelves					
SHC-4210-O	Starter	36-5/8 x 10 x 42	43	\$675.82	
SHA-4210X-O	Adder	35-7/8 x 10 x 42	35	\$556.70	
SHC-4212-O	Starter	36-5/8 x 12 x 42	50	\$709.86	
SHA-4212X-O	Adder	35-7/8 x 12 x 42	41	\$581.01	
60-1/2"H with 4 adjustable shelves:					
SHC-6010-O	Starter	36-5/8 x 10 x 60-1/2	62	\$845.99	
SHA-6010X-O	Adder	35-7/8 x 10 x 60-1/2	50	\$711.07	
SHC-6012-O	Starter	36-5/8 x 12 x 60-1/2	72	\$945.66	
SHA-6012X-O	Adder	35-7/8 x 12 x 60-1/2	59	\$747.54	
82"H with 5 adjustable shelves:					
SHC-8210-O	Starter	36-5/8 x 10 x 82	82	\$1,034.40	
SHA-8210X-O	Adder	35-7/8 x 10 x 82	66	\$843.56	
SHC-8212-O	Starter	36-5/8 x 12 x 82	96	\$1,104.90	
SHA-8212X-O	Adder	35-7/8 x 12 x 82	78	\$893.40	
Double Faced Units with Shelves					
<i>DF Shelving comes with a wood top, two flat fixed base shelves, and adjustable shelves. Shelves are 3/4" thick.</i>					
42"H with 4 adjustable shelves					
SHC-4216-O	Starter	36-5/8 x 16 x 42	64	\$1,069.65	
SHA-4216X-O	Adder	35-7/8 x 16 x 42	52	\$907.98	
SHC-4220-O	Starter	36-5/8 x 20 x 42	83	\$1,123.13	
SHA-4220X-O	Adder	35-7/8 x 20 x 42	67	\$943.23	
SHC-4224-O	Starter	36-5/8 x 24 x 42	97	\$1,189.98	
SHA-4224X-O	Adder	35-7/8 x 24 x 42	78	\$994.28	

Item #	Description	Dimensions	Weight	List \$	
60-1/2"H with 8 adjustable shelves:					
SHC-6016-O	Starter	36-5/8 x 16 x 60-1/2	93	\$1,388.11	
SHA-6016X-O	Adder	35-7/8 x 16 x 60-1/2	75	\$1,198.49	
SHC-6020-O	Starter	36-5/8 x 20 x 60-1/2	120	\$1,456.18	
SHA-6020X-O	Adder	35-7/8 x 20 x 60-1/2	98	\$1,245.89	
SHC-6024-O	Starter	36-5/8 x 24 x 60-1/2	143	\$1,554.63	
SHA-6024X-O	Adder	35-7/8 x 24 x 60-1/2	115	\$1,321.26	
				\$0.00	
82"H with 10 adjustable shelves:					
				\$0.00	
SHC-8216-O	Starter	36-5/8 x 16 x 82	124	\$1,711.43	
SHA-8216X-O	Adder	35-7/8 x 16 x 82	100	\$1,429.44	
SHC-8220-O	Starter	36-5/8 x 20 x 82	161	\$1,814.75	
SHA-8220X-O	Adder	35-7/8 x 20 x 82	130	\$1,496.29	
SHC-8224-O	Starter	36-5/8 x 24 x 82	189	\$1,954.53	
SHA-8224X-O	Adder	35-7/8 x 24 x 82	152	\$1,597.18	
Single Faced Magazine Shelving					
<i>Magazine shelving comes with a top, a fixed base, adjustable sloping shelves & flat shelves. Back are available on 82" high units only.</i>					
42"H with 2 adjustable sloping shelves & 1 adjustable flat shelf:					
SHC-4212MD-O	Starter	36-5/8 x 12 x 42	57	\$916.49	
SHA-4212XMD-O	Adder	35-7/8 x 12 x 42	48	\$788.86	
60-1/2"H with 3 adjustable sloping shelves & 2 adjustable flat shelves:					
SHC-6012MD-O	Starter	36-5/8 x 12 x 60-1/2		\$1,171.75	
SHA-6012XMD-O	Adder	35-7/8 x 12 x 60-1/2	66	\$1,021.03	
82"H with 5 adjustable sloping shelves & 4 adjustable flat shelves:					
SHC-8212MD-O	Starter	36-5/8 x 12 x 82	117	\$1,724.80	
SHA-8212XMD-O	Adder	35-7/8 x 12 x 82	99	\$1,514.52	

Item #	Description	Dimensions	Weight	List \$
Single Faced Hinged Periodical Shelving				
<i>Hinged periodical shelving comes with an inverted 2 piece top, four adjustable flat shelves, five hinged display shelves and a 2 piece flat base shelf.</i>				
42"H with 2 hinged display shelves & 1 flat adjustable shelf:				
SHC-4216P-O	Starter	36-5/8 x 16 x 42	73	\$1,282.36
SHC-4216PB-O	Starter grooved for back	36-5/8 x 16 x 42	76	\$1,429.44
SHA-4216XP-O	Adder	35-7/8 x 16 x 42	61	\$1,120.70
SHA-4216XPB-O	Adder-grooved for back	35-7/8 x 16 x 42	62	\$1,268.99
60-1/2"H with 3 hinged display shelves & 2 flat adjustable shelves:				
SHC-6016P-O	Starter	36-5/8 x 16 x 60-1/2	102	\$1,636.07
SHC-6016PB-O	Starter-grooved for back	36-5/8 x 16 x 60-1/2	105	\$1,784.36
SHA-6016XP-O	Adder	35-7/8 x 16 x 60-1/2	84	\$1,448.88
SHA-6016XPB-O	Adder-grooved for back	35-7/8 x 16 x 42	62	\$1,597.18
82"H with 2 hinged display shelves & 1 flat adjustable shelf:				
SHC-8216P-O	Starter	36-5/8 x 16 x 82	136	\$2,489.36
SHC-8216PB-O	Starter-grooved for back	36-5/8 x 16 x 82	139	\$2,637.65
SHA-8216XP-O	Adder	35-7/8 x 16 x 82	92	\$2,293.66
SHA-8216XPB-O	Adder-grooved for back	35-7/8 x 16 x 82	95	\$2,441.95
Single Faced Media/Picture Book Shelving				
<i>Media/Picture book shelving comes with a top, a flat base shelf and adjustable shelves with 4 dividers per shelf. Base shelf also has 4 dividers.</i>				
42"H with 2 adjustable shelves with dividers:				
SHC-4212PIC-O	Starter	36-5/8 x 12 x 42	53	\$1,153.52
SHA-4212XPIC-O	Adder	35-7/8 x 12 x 42	44	\$1,025.89

Item #	Description	Dimensions	Weight	List \$	
60-1/2"H with 4 adjustable shelves with dividers:					
SHC-6012PIC-O	Starter	36-5/8 x 12 x 60-1/2	77	\$1,625.13	
SHA-6012XPIC-O	Adder	35-7/8 x 12 x 60-1/2	64	\$1,471.98	
Double Faced Media/Picture Book Shelving:					
<i>Media/Picture book shelving comes with a top, a flat base shelf and adjustable shelves with 4 dividers per shelf. Base shelf also has 4 dividers.</i>					
42"H with 4 adjustable shelves with dividers:					
SHC-4224PIC-O	Starter	36-5/8 x 24 x 42	130	\$2,084.59	
SHA-4224XPIC-O	Adder	35-7/8 x 24 x 42	110	\$1,887.68	
60-1/2"H with 8 adjustable shelves with dividers:					
SHC-6024PIC-O	Starter	36-5/8 x 24 x 60-1/2	148	\$3,009.59	
SHA-6024XPIC-O	Adder	35-7/8 x 24 x 60-1/2	120	\$2,773.79	
Bulletin Board Shelving:					
<i>Bulletin board shelving comes with an inverted top, flat base shelf and adjustable shelves. Shelf behind bulletin board is 1" less in depth than other shelves. Bulletin Board is hinged at top. Bulletin Board is 19-7/8" x 35-1/16"</i>					
82"H with 5 adjustable shelves:					
SHC-8210BB-O	Starter	36-5/8 x 10 x 82	92	\$1,552.20	
SHA-8210XBB-O	Adder	35-7/8 x 10 x 82	76	\$1,360.15	
SHC-8212BB-O	Starter	36-5/8 x 12 x 82	107	\$1,625.13	
SHA-8212XBB-O	Adder	35-7/8 x 12 x 82	88	\$1,414.85	

Item #	Description	Dimensions	Weight	List \$	
Newspaper Shelving					
<i>Newspaper shelving comes with an inverted top, a flat base shelf, s adjustable shelves and one pair of newspaper cleats with 5 newspaper sticks.</i>					
82"H					
SHC-8212NW-O	Starter	36-5/8 x 12 x 82	71	\$1,125.56	
SHA-8212XNW-O	Adder	35-7/8 x 12 x 82	52	\$912.85	
Single Faced Unit without Shelves:					
<i>Starter units furnished without shelves come with 2 end panels, a top, and a base platform. Adder units furnished without shelves come with 1 upright, a top and a base platform. Base shelf is not included (order 1 extra flat shelf to be used for the base shelf.) All SF units are furnished with 2 anchors for wall attachment.</i>					
42"H (holds 2 adjustable shelves + 1 base shelf):					
SHC-4210N-O	Starter	36-5/8 x 10 x 42	25	\$472.83	
SHA-4210XN-O	Adder	35-7/8 x 10 x 42	17	\$353.71	
SHC-4212N-O	Starter	36-5/8 x 12 x 42	29	\$494.71	
SHA-4212XN-O	Adder	35-7/8 x 12 x 42	20	\$367.08	
60-1/2"H (holds 4 adjustable shelves + 1 base shelf):					
SHC-6010N-O	Starter	36-5/8 x 10 x 60-1/2	32	\$508.08	
SHA-6010XN-O	Adder	35-7/9 x 10 x 60-1/2	20	\$373.16	
SHC-6012N-O	Starter	36-5/8 x 12 x 60-1/2	37	\$539.68	
SHA-6012XN-O	Adder	35-7/8 x 12 x 60-1/2	24	\$388.96	
82"H (holds 5 adjustable shelves + 1 base shelf):					
SHC-8210N-O	Starter	36-5/8 x 10 x 82	40	\$629.63	
SHA-8210XN-O	Adder	35-7/8 x 10 x 82	24	\$440.01	
SHC-8212N-O	Starter	36-5/8 x 12 x 82	47	\$674.61	
SHA-8212XN-O	Adder	35-7/8 x 12 x 82	29	\$465.54	

Item #	Description	Dimensions	Weight	List \$
Double Faced Units without shelves:				
<i>Starter units furnished without shelves come with 2 end panels, a top(s) and 2 base platforms. Adder units furnished without shelves come with 1 upright, a top(s), and 2 base platforms. Base shelves are not included (order 2 extra flat shelves to be used for the base shelves).</i>				
42"H (holds 4 shelves + 2 base shelves):				
SHC-4216N-O	Starter	36-5/8 x 16 x 42	37	\$673.39
SHA-4216XN-O	Adder	35-7/8 x 16 x 42	25	\$510.51
SHC-4220N-O	Starter	36-5/8 x 20 x 42	47	\$718.36
SHA-4220XN-O	Adder	35-7/8 x 20 x 42	31	\$539.68
SHC-4224N-O	Starter	36-5/8 x 24 x 42	55	\$760.91
SHA-4224XN-O	Adder	35-7/8 x 24 x 42	36	\$566.43
60-1/2"H (holds 8 shelves + 2 base shelves):				
SHC-6016N-O	Starter	36-5/8 x 16 x 60-1/2	48	\$726.87
SHA-6016XN-O	Adder	35-7/8 x 16 x 60-1/2	30	\$537.25
SHC-6020N-O	Starter	36-5/8 x 20 x 60-1/2	60	\$784.00
SHA-6020XN-O	Adder	35-7/8 x 20 x 60-1/2	38	\$571.29
SHC-6024N-O	Starter	36-5/8 x 24 x 60-1/2	73	\$839.91
SHA-6024XN-O	Adder	35-7/8 x 24 x 60-1/2	45	\$605.32
82"H (holds 10 shelves + 2 base shelves):				
SHC-8216N-O	Starter	36-5/8 x 16 x 82	61	\$920.14
SHA-8216XN-O	Adder	35-7/8 x 16 x 82	37	\$639.36
SHC-8220N-O	Starter	36-5/8 x 20 x 82	77	\$1,006.44
SHA-8220XN-O	Adder	35-7/8 x 20 x 82	46	\$689.19
SHC-8224N-O	Starter	36-5/8 x 24 x 82	91	\$1,093.96
SHA-8224XN-O	Adder	35-7/8 x 24 x 82	54	\$739.03

Item #	Description	Dimensions	Weight	List \$
Individual Wood Shelves:				
8" deep:				
3/4" Universal Shelf	SHF-S94B-O	35-1/16 x 8	9	\$68.07
3/4" Solid Oak Shelf	SHF-S94O-O	35-1/16 x 8	9	\$81.44
3/4" Solid Maple Shelf	SHF-S94M-M	35-1/16 x 8	9	\$0.00
10" deep:				
SHF-S95B-O	3/4" Universal Shelf	35-1/16 x 10	10	\$69.28
SHF-S95O-O	3/4" Solid Oak Shelf	35-1/16 x 10	10	\$83.87
SHF-S95M-M	3/4" Solid Maple Shelf	35-1/16 x 10	10	\$83.87
SHF-S124B-O	1" Universal Shelf	35-1/16 x 10	10	\$80.22
12" deep:				
SHF-S96B-O	3/4" Universal Shelf	36-1/16 x 12	15	\$71.71
SHF-S96O-O	3/4" Solid Oak Shelf	35-1/16 x 12	15	\$91.16
SHF-S96M-M	3/4" Solid Maple Shelf	35-1/16 x 12	15	\$91.16
SHF-S134B-O	1" Universal Shelf	35-1/16 x 12	15	\$83.87
SHF-120T-O	Bulletin Board Shelf	35-1/16 x 12	12	\$85.09
SHF-204T-O	Sloping Magazine Shelf	35-1/16 x 12	18	\$138.57
SHF-121PWT-O	Adj. Pict. Book Shelf	35-1/16 x 12	20	\$212.71
SHF-121PWBT-O	Pict. Book Shelf, Base	35-1/16 x 12	20	\$224.87
16" deep:				
SHF-122P1-O	Flat Shelf	36-1/16 x 16	15	\$127.63
SHF-205T-O	Sloping Magazine Shelf	35-1/16 x 16	18	\$177.46
Individual Steel Shelves				
8" deep:				
STL-S-460241	Pioneer Flat Shelf	35-1/16 x 8	9	\$41.33
STL-S-47060-1	Lo-Back Shelf	35-1/16 x 8	9	\$61.56
10" deep:				
STL-S-460242	Pioneer Flat Shelf	35-1/16 x 10	10	\$56.65
STL-S-35097P	Pict. Book Shelf - 4 Dividers	35-1/16 x 10	8	\$147.35
LBA-SD97	Adjustable Divider	10"d	0.8	\$4.86
STL-S-47060-2	Lo-Back Shelf	35-1/16 x 10	10	\$65.18

Item #	Description	Dimensions	Weight	List \$
12" deep:				
STL-S-460243	Pioneer Flat Shelf	35-1/16 x 12	12	\$59.79
STL-S-35117P	Pict. Book Shelf - 4 Dividers	35-1/16 x 12	9	\$160.92
LBA-SD117	Adjustable Divider	12"d	0.8	\$6.08
STL-S-9705P-MM	Sloping Mag Display Shelf	35-1/16 x 12	8.3	\$114.07
STL-S-47060-3	Lo-Back Shelf	35-1/16 x 12	11	
16" deep:				
STL-S-35157	Pict. Book Shelf - 4 Dividers	35-1/16 x 16	17	\$246.22
LBA-SD157	Adjustable Divider	16"d	3	\$13.37
DL47031	Hinged Periodical Shelf		17	\$622.08
DL47032	Hinged Periodical Shelf w/ 3 dividers		20	\$674.93
SL47034	Sliding Browser		20	\$706.15
SLRP-9	9" Sliding Reference Shelf		10	\$345.83
SLRP-11	11" Sliding Reference Shelf		12	\$365.75
STL-S-47062	12" Two-Tier Fixed Display Shelf		10	\$89.95
STL-S-47063	Sloping Media Display with 3 Dividers		12	\$126.41
STL-S-47064	12" Sliding Wire Book Support w/Plastic Extrusion		1	\$14.59
Shelving Hardware Kits:				
<i>Shelving hardware kits do not include shelf pins - you will need 4 pins per shelf.</i>				
for single faced units:				
78-H-C371	SF Starters-all heights with and w/out backs		1	\$8.51
78-H-0372	SF Adders-all heights with and w/out backs		1	\$9.72

Item #	Description	Dimensions	Weight	List \$
for double faced units:				
78-H-C373	DF Starters with backs-all & 42"H with and w/out backs		1	\$15.80
78-H-0374	DF Adders with backs-all 42" & 60"H with and w/out backs		1	\$18.23
78-H-C375	DF Starter 60" w/out back		1	\$31.60
78-H-C378	DF Starters 82" & 90" w/out backs		1	\$31.60
78-H-0376	DF Adders 82" & 90" high w/out backs		1	\$36.47
				\$0.00
				\$0.00
				\$0.00
Other Hardware:				
78-H-1402	1" Shelf Pins (1 Dozen)		5	\$6.08
78-H-RA280	Hinges for Mag. shelf (4)		2	\$18.23
78-H-R60	Sway Brace		1	\$33.23
78-H-R47	Spacer Rod		1	\$33.23
End Panels:				
<i>Please specify left or right hand panel by placing an "L" or "R" after the item #. For end panels that need a groove to accept a back simply add a "B" to the item # to indicate that a back will be used with the unit and add \$75.00 to the list price. Single faced ends with a groove for backs are 3/4" deeper than standard ends.</i>				
single faced end panels:				
42" high:				
75-E-4210-O	End Panel	3/4 x 10 x 42	8	\$130.06
75-E-4212-O	End Panel	3/4 x 12 x 42	9	\$138.57
60-1/2" high:				
75-E-6010-O	End Panel	3/4 x 10- x 60-1/2	12	\$148.29
75-E-6012-O	End Panel	3/4 x 12 x 60-1/2	14	\$159.23

Item #	Description	Dimensions	Weight	List \$
82" high:				
75-E-8210-O	End Panel	3/4 x 10 x 82	16	\$206.64
75-E-8212-O	End Panel	3/4 x 12 x 82	19	\$224.87
double faced end panels:				
42" high:				
75-E-4216-O	End Panel	3/4 x 16 x 42	13	\$187.19
75-E-4220-O	End Panel	3/4 x 20 x 42	16	\$202.99
75-E-4224-O	End Panel	3/4 x 24 x 42	19	\$218.79
60-1/2" high:				
75-E-6016-O	End Panel	3/4 x 16 x 60-1/2	19	\$212.71
75-E-6020-O	End Panel	3/4 x 20 x 60-1/2	23	\$234.59
75-E-6024-O	End Panel	3/4 x 24 x 60-1/2	28	\$257.69
82" high:				
75-E-8216-O	End Panel	3/4 x 16 x 82	25	\$309.95
75-E-8220-O	End Panel	3/4 x 20 x 82	31	\$347.63
75-E-8224-O	End Panel	3/4 x 24 x 82	37	\$384.10
Intermediate Uprights:				
<i>Uprights are 3/4" thick solid oak with 32mm construction on both faces. Connecting holes are bored near top & bottom for top and base connections. For SF panels specify which side of the panel to be 1" holes. When facing the unit: "L" = left, "R" = right. For uprights that need a groove to accept a back simply add a "B" to the item # to indicate that a back will be used with the unit and add \$75.00 to the list price.</i>				
single faced intermediate uprights:				
42" high:				
75-E-4208C-O	Intermediate Upright	3/4 x 8 x 42	6	\$142.21
75-E-4210C-O	Intermediate Upright	3/4 x 10 x 42	8	\$150.72
75-E-4212C-O	Intermediate Upright	3/4 x 12 x 42	9	\$159.23

Item #	Description	Dimensions	Weight	List \$
60-1/2" high:				
75-E-6008C-O	Intermediate Upright	3/4 x 8 x 60-1/2	9	\$156.80
75-E-6010C-O	Intermediate Upright	3/4 x 10 x 60-1/2	12	\$168.96
75-E-6012C-O	Intermediate Upright	3/4 x 12 x 60-1/2	14	\$181.11
82" high:				
75-E-8208C-O	Intermediate Upright	3/4 x 8 x 82	12	\$213.93
75-E-8210C-O	Intermediate Upright	3/4 x 10 x 82	16	\$233.38
75-E-8212C-O	Intermediate Upright	3/4 x 12 x 82	19	\$252.83
double faced intermediate uprights:				
42" high:				
75-E-4216C-O	Intermediate Upright	3/4 x 16 x 42	13	\$204.21
75-E-4220C-O	Intermediate n Upright	3/4 x 20 x 42	16	\$220.01
75-E-4224C-O	Intermediate Upright	3/4 x 24 x 42	19	\$234.59
60-1/2" high:				
75-E-6016C-O	Intermediate Upright	3/4 x 16 x 60-1/2	19	\$229.73
75-E-6020C-O	Intermediate Upright	3/4 x 20 x 60-1/2	23	\$250.39
75-E-6024C-O	Intermediate Upright	3/4 x 24 x 60-1/2	28	\$272.27
82" high:				
75-E-8216C-O	Intermediate Upright	3/4 x 16 x 82	25	\$359.79
75-E-8220C-O	Intermediate Upright	3/4 x 20 x 82	31	\$362.22
75-E-8224C-O	Intermediate Upright	3/4 x 24 x 82	37	\$397.47

Item #	Description	Dimensions	Weight	List \$
Conversion Uprights:				
<i>Uprights are 3/4" thick solid oak with 32mm construction on one face and 1" on the other. Connecting holes are bored near top & bottom for top and base connection. For SF panels please specify which side of the panel to be 1" holes. When facing the unit: "L" = left, "R" = right. For uprights that need a groove to accept a back simply add a "B" to the item # to indicate that a back will be used with the unit and add \$75.00 to the list price.</i>				
single faced conversion uprights:				
42" high:				
69-E-4208C-O	Conversion Upright	3/4 x 8 x 42	6	\$150.72
69-E-4210C-O	Conversion Upright	3/4 x 10 x 42	8	\$159.23
69-E-4212C-O	Conversion Upright	3/4 x 12 x 42	9	\$167.74
				\$0.00
60-1/2" high:				
69-E-6008C-O	Conversion Upright	3/4 x 8 x 60-1/2	9	\$165.31
69-E-6010C-O	Conversion Upright	3/4 x 10 x 60-1/2	12	\$177.46
69-E-6012C-O	Conversion Upright	3/4 x 12 x 60-1/2	14	\$190.83
				\$0.00
82" high:				
69-E-8208C-O	Conversion Upright	3/4 x 8 x 82	12	\$226.08
69-E-8210C-O	Conversion Upright	3/4 x 10 x 82	16	\$245.53
69-E-8212C-O	Conversion Upright	3/4 x 12 x 82	19	\$266.20
double faced conversion uprights:				
42" high:				
69-E-4216C-O	Conversion Upright	3/4 c 16 x 42	13	\$215.14
69-E-4220C-O	Conversion Upright	3/4 x 20 x 42	16	\$232.16
69-E-4224C-O	Conversion Upright	3/4 x 24 x 42	19	\$247.96
60-1/2" high:				
69-E-6016C-O	Conversion Upright	3/4 x 16 x 60-1/2	19	\$241.89
69-E-6020C-O	Conversion Upright	3/4 x 20 x 60-1/2	23	\$264.98
69-E-6024C-O	Conversion Upright	3/4 x 24 x 60-1/2	28	\$286.86

Item #	Description	Dimensions	Weight	List \$
T Series Shelving is 5 ply construction with oak veneer over lumbercore.				
<i>End panels are 1" thick. 32mm construction.</i>				
<i>Note: If you currently have LB Wood Shelving units bored with a 1" adjustment holes you can order a "Conversion Upright" to continue adding on in 32mm construction. This panel is bored with 1" holes on one face and 32mm on the other.</i>				
<i>Pinned - in metal bushings are factory installed top and bottom to receive top and base connections.</i>				
Single Faced Units with Shelves:				
<i>SF Shelving comes with a wood top, a flat base shelf and adjustable shelves. Shelves are 3/4" thick. All SF units are furnished with 2 anchors for wall attachment.</i>				
42" high with 2 adjustable shelves:				
SHT-4210-OV	Starter	37-1/8 x 10 x 42	61	\$718.36
SHA-4210X-O	Adder	35-1/8 x 10 x 42	44	\$556.70
SHT-4212-OV	Starter	37-1/8 x 12 x 42	72	\$758.48
SHA-4212X-O	Adder	35-7/8 x 12 x 42	52	\$581.01
60-1/2" high with 4 adjustable shelves:				
SHT-6010-OV	Starter	37-1/8 x 10 x 60-1/2	90	\$929.86
SHA-6010X-O	Adder	35-7/8 x 10 x 60-1/2	65	\$711.07
SHT-6012-OV	Starter	37-1/8 x 12 x 60-1/2	104	\$991.85
SHA-6012X-O	Adder	35-7/8 x 12 x 60-1/2	75	\$747.54
82" high with 5 adjustable shelves:				
SHT-8210-OV	Starter	37-1/8 x 10 x 82	120	\$1,108.54
SHA-8210X-O	Adder	35-7/8 x 10 x 82	84	\$843.56
SHT-8212-OV	Starter	37-1/8 x 12 x 82	139	\$1,182.69
SHA-8212X-O	Adder	35-7/8 x 12 x 82	99	\$893.40
90" high with 6 adjustable shelves:				
SHT-9010-OV	Starter	37-1/8 x 10 x 90	124	\$1,278.71
SHA-9010X-O	Adder	35-7/8 x 10 x 90	87	\$1,021.03
SHT-9012-OV	Starter	37-1/8 x 12 x 90	146	\$1,373.52
SHA-9012X-O	Adder	35-7/8 x 12 x 90	103	\$1,089.09

Item #	Description	Dimensions	Weight	List \$
Double Faced Units with Shelves:				
<i>Double faced shelving comes with a wood top, two flat fixed base shelves, and adjustable shelves. Shelves are 3/4" thick.</i>				
42" high with 4 adjustable shelves:				
SHT-4216-OV	Starter	37-1/8 x 16 x 42	120	\$1,183.90
SHA-4216X-O	Adder	35-7/8 x 16 x 42	94	\$907.98
SHT-4220-OV	Starter	37-1/8 x 20 x 42	118	\$1,256.83
SHA-4220X-O	Adder	35-7/8 x 20 x 42	85	\$943.23
SHT-4224-OV	Starter	37-1/8 x 24 x 42	140	\$1,344.35
SHA-4224X-O	Adder	35-7/8 x 24 x 42	100	\$994.28
60-1/2" high with 8 adjustable shelves:				
SHT-6016-OV	Starter	37-1/8 x 16 x 60-1/2	153	\$1,503.58
SHA-6016X-O	Adder	35-7/8 x 16 x 60-1/2	114	\$1,198.49
SHT-6020-OV	Starter	37-1/8 x 20 x 60-1/2	197	\$1,594.74
SHA-6020X-O	Adder	35-7/8 x 20 x 60-1/2	148	\$1,245.89
SHT-6024-OV	Starter	37-1/8 x 24 x 60-1/2	232	\$1,712.65
SHA-6024X-O	Adder	35-7/8 x 24 x 60-1/2	174	\$1,321.26
82" high with 10 adjustable shelves:				
SHT-8216-OV	Starter	37-1/8 x 16 x 82	217	\$1,785.58
SHA-8216X-O	Adder	35-7/8 x 16 x 82	164	\$1,429.44
SHT-8220-OV	Starter	37-1/8 x 20 x 82	188	\$1,892.54
SHA-8220X-O	Adder	35-7/8 x 20 x 87	87	\$1,496.29
SHT-8224-OV	Starter	35-7/8 x 24 x 82	220	\$2,032.33
SHA-8224X-O	Adder	35-7/8 x 24 x 82	99	\$1,597.18
90" double face units with 12 adjustable shelves:				
SHT-9020-OV	Starter	37-1/8 x 20 x 90	225	\$2,228.02
SHA-9020X-O	Adder	35-7/8 x 20 x 90	114	\$1,836.63
SHT-9024-OV	Starter	37-1/8 x 24 x 90	266	\$2,404.27
SHA-9024X-O	Adder	35-7/8 x 24 x 90	131	\$1,969.12

Item #	Description	Dimensions	Weight	List \$
Hinged Periodical Shelving:				
<i>Hinged periodical shelving comes with an inverted 2 piece top, four adjustable flat shelves, five hinged display shelves and a 2 piece flat base shelf.</i>				
42"H with 2 hinged display shelves & 1 flat adjustable shelf:				
SHT-4216P-O	Starter	36-5/8 x 16 x 42	115	\$1,366.23
SHT-4216PB-O	Starter grooved for back	36-5/8 x 16 x 42	118	\$1,498.72
SHA-4216XP-O	Adder	35-7/8 x 16 x 42	61	\$1,120.70
SHA-4216XPB-O	Adder-grooved for back	34-7/8 x 16 x 42	62	\$1,268.99
60-1/2" high with 3 hinged display shelves & 2 flat adjustable shelf:				
SHT-6016P-O	Starter	36-5/8 x 16 x 60-1/2	120	\$1,760.05
SHT-6016PB-O	Starter-grooved for back	36-5/8 x 16 x 60-1/2	123	\$1,901.05
SHA-6016XP-O	Adder	35-7/8 x 16 x 60-1/2	84	\$1,448.88
SHA-6016XPB-O	Adder-grooved for back	35-7/8 x 16 x 60-1/2	65	\$1,597.18
82" high with 2 hinged display shelved & 1 flat adjustable shelf:				
SHT-8216P-O	Starter	36-5/8 x 16 x 82	175	\$2,512.45
SHT-8216PB-O	Starter-grooved for back	36-5/8 x 16 x 82	178	\$2,653.45
SHA-8216XP-O	Adder	35-7/8 x 16 x 82	92	\$2,293.66
SHA-8216XPB-O	Adder-grooved for back	35-7/8 x 16 x 82	95	\$2,441.95
Magazine Shelving:				
<i>Magazine shelving comes with an inverted 1 piece top, 4 adjustable flat shelves, 5 adjustable sloping shelves and a flat base shelf.</i>				
82" high:				
SHT-8212MD-OV	Starter	37-1/8 x 12 x 82	109	\$1,713.86
SHA-8212XMD-O	Adder	35-7/8 x 12 x 82	48	\$1,514.52

Item #	Description	Dimensions	Weight	List \$	
Single Faced Unit without Shelves:					
<i>Starter units furnished without shelves come with 2 end panels, a top, and a base platform. Adder units furnished without shelves come with 1 upright, a top, and a base platform. Base shelf is not included (order 1 extra flat shelf to be used for the base shelf).</i>					
42" high (holds 2 shelves + 1 base shelf):					
SHT-4210N-OV	Starter	37-1/8 x 10 x 42	43	\$489.85	
SHA-4210XN-O	Adder	35-7/8 x 10 x 42	26	\$670.96	
SHT-4212N-OV	Starter	37-1/8 x 12 x 42	51	\$515.37	
SHA-4212XN-O	Adder	35-7/8 x 12 x 42	30	\$367.08	
60-1/2" high (holds 4 adjustable shelves + 1 base shelf):					
SHT-6010N-OV	Starter	37-1/8 x 10 x 60-1/2	58	\$593.17	
SHA-6010XN-O	Adder	35-7/8 x 10 x 60-1/2	33	\$373.16	
SHT-6012N-OV	Starter	37-1/8 x 12 x 60-1/2	69	\$601.68	
SHA-6012XN-O	Adder	35-7/8 x 12 x 60-1/2	39	\$388.96	
82" high (holds 5 shelves + 1 base shelf):					
SHT-8210N-OV	Starter	37-1/8 x 10 x 82	82	\$668.53	
SHA-8210XN-O	Adder	35-7/8 x 10 x 82	42	\$440.01	
SHT-8212N-OV	Starter	37-1/8 x 12 x 82	90	\$715.93	
SHA-8212XN-O	Adder	35-7/8 x 12 x 82	50	\$465.54	
90" high (holds 6 shelves + 1 base shelf):					
SHT-9010N-OV	Starter	37-1/8 x 10 x 90	82	\$697.70	
SHA-9010XN-O	Adder	35-7/8 x 10 x 90	45	\$452.17	
SHT-9012N-OV	Starter	37-1/8 x 12 x 90	97	\$748.75	
SHA-9012N-OV	Adder	35-7/8 x 12 x 90	54	\$480.12	

Item #	Description	Dimensions	Weight	List \$
Double Faced Units without Shelves:				
<i>Starter units furnished without shelves come with 2 end panels, a top(s), and 2 base platforms. Adder units furnished without shelves come with 1 upright, a top(s), and 2 base platforms. Base shelves are not included (order 2 extra flat shelves to be used for the base shelves).</i>				
42" high (holds 4 shelves + 2 base shelves):				
SHT-4216N-OV	Starter	37-1/8 x 16 x 42	66	\$748.75
SHA-4216XN-O	Adder	35-7/8 x 16 x 42	39	\$510.51
SHT-4220N-OV	Starter	37-1/8 x 20 x 42	82	\$808.31
SHA-4220XN-O	Adder	35-7/8 x 20 x 42	49	\$539.68
SHT-4224N-OV	Starter	37-1/8 x 24 x 42	99	\$869.09
SHA-4224XN-O	Adder	35-7/8 x 24 x 42	58	\$567.64
60-1/2" high (holds 8 shelves + 2 base shelves):				
SHT-6016N-OV	Starter	37-1/8 x 16 x 60-1/2	104	\$819.25
SHA-6016XN-O	Adder	35-7/8 x 16 x 60-1/2	48	\$537.25
SHT-6020N-OV	Starter	37-1/8 x 20 x 60-1/2	113	\$875.16
SHA-6020XN-O	Adder	35-7/8 x 20 x 60-1/2	64	\$571.29
SHT-6024N-OV	Starter	37-1/8 x 24 x 60-1/2	135	\$948.09
SHA-6024XN-O	Adder	35-7/8 x 24 x 60-1/2	76	\$605.32
82" high (holds 10 shelves + 2 base shelves):				
SHT-8216N-OV	Starter	37-1/8 x 16 x 82	118	\$944.45
SHA-8216XN-O	Adder	35-7/8 x 16 x 82	65	\$639.36
SHT-8220N-OV	Starter	37-1/8 x 20 x 82	148	\$1,029.53
SHA-8220XN-O	Adder	35-7/8 x 20 x 82	81	\$689.19
SHT-8224N-OV	Starter	37-1/8 x 24 x 82	176	\$1,115.83
SHA-8224XN-O	Adder	35-7/8 x 24 x 82	97	\$739.03
90" high (holds 12 shelves + 2 base shelves):				
SHT-9020N-OV	Starter	37-1/8 x 20 x 90	175	\$1,080.59
SHA-9020XN-O	Adder	35-7/8 x 20 x 90	87	\$708.64
SHT-9024N-OV	Starter	37-1/8 x 24 x 90	192	\$1,175.39
SHA-9024XN-O	Adder	35-7/8 x 24 x 90	104	\$762.12

Item #	Description	Dimensions	Weight	List \$
Individual Wood Shelves:				
8" deep:				
SHF-S94B-O	3/4" Universal	35-1/16 x 8d	5	\$68.07
SHF-S94O-O	3/4" Solid Oak Shelf	35-1/16 x 8d	5	\$81.44
SHF-S94M-M	3/4" Solid Maple Shelf	35-1/16 x 8d	5	\$81.44
10" deep:				
SHF-S95B-O	3/4" Universal Shelf	35-1/16 x 10d	6	\$69.28
SHF-S95O-O	3/4" Solid Oak Shelf	35-1/16 x 10d	6	\$83.87
SHF-S95M-M	3/4" Solid Maple Shelf	35-1/16 x 10d	6	\$83.87
SHF-S124B-O	1" Universal Shelf	35-1/16 x 10d	6	\$80.22
12" deep:				
SHF-S96B-O	3/4" Universal Shelf	35-1/16 x 12d	9	\$71.71
SHF-S96O-O	3/4" Solid Oak Shelf	35-1/16 x 12d	9	\$91.16
SHF-S96M-M	3/4" Solid Maple Shelf	35-1/16 x 12d	9	\$91.16
SHF-S134B-O	1" Universal Shelf	35-1/16 x 12d	9	\$83.87
SHF-120T-O	Bulletin Board Shelf	35-1/16 x 12d	7	\$85.09
SHF-204T-O	Sloping Magazine Shelf	35-1/16 x 12d	12	\$138.57
SHF-121PWT-O	Adj. Pict. Book Shelf	35-1/16 x 12d	15	\$212.71
SHF-121PWBT-O	Pict. Book Shelf, Base	35-1/16 x 12d	15	\$224.87
16" deep:				
SHF-122P1-O	Flat Shelf (to be used under hinged periodical and magazine shelf)	35-1/16 x 16d	9	\$127.63
SHF-205T-O	Sloping magazine shelf for hinged periodical shelving	35-1/16 x 16d	9	\$177.46
Individual Steel Shelves:				
8" deep:				
STL-S-460241	Pioneer Flat Shelf	35-1/16 x 8d	9	\$41.33
STL-S-47060-1	Lo-Back Shelf	35-1/16 x 8d	9	\$61.56

Item #	Description	Dimensions	Weight	List \$
10" deep:				
STL-S-460242	Pioneer Flat Shelf	35-1/16 x 10d	10	\$56.65
STL-S-35097P	Pict. Book Shelf - 4 Dividers	35-1/16 x 10d	8	\$147.35
LBA-SD97	Adjustable Divider	10d	0.8	\$4.86
STL-S-47060-2	Lo-Back Shelf	35-1/16 x 10d	10	\$65.18
12" deep:				
STL-S-460243	Pioneer Flat Shelf	35-1/16 x 12d	12	\$59.79
STL-S-35117P	Pict. Book Shelf - 4 Dividers	35-1/16 x 12d	9	\$160.92
LBA-SD117	Adjustable Divider	12d	0.8	\$6.08
STL-S-9705P-MM	Sloping Mag Display Shelf	35-1/16 x 12d	8.3	\$114.07
STL-S-47060-3	Lo-Back Shelf	35-1/16 x 12d	11	\$68.80
16" deep:				
STL-S-35157	Pict. Book Shelf - 4 Dividers	35-1/16 x 16d	17	\$246.22
LBA-SD157	Adjustable Divider	16d	3	\$13.37
DL47031	Hinged Periodical Shelf		17	\$622.08
DL47032	Hinged Periodical Shelf w/3 dividers		20	\$674.93
SL47034	Sliding Browser		20	\$706.15
SLRP-9	9" Sliding Reference Shelf		10	\$345.83
SLRP-11	11" Sliding Reference Shelf		12	\$365.75
STL-S-47062	12" Two-Tier Fixed Display Shelf		10	\$89.95
STL-S-47063	Sloping Media Display with 3 Dividers		12	\$126.41
STL-S-47064	12" Sliding Wire Book Support w/Plastic Extrusion		1	\$14.59
Shelving Hardware Kits:				
<i>Shelving hardware kits do not include shelf pins - order 4 per shelf</i>				
for single faced units:				
78-H-0371	Starters SF-All Heights with and w/out backs		1	\$8.51
78-H-0372	Adders SF-All Heights with and w/out backs		1	\$10.94

Item #	Description	Dimensions	Weight	List \$	
for double faced units:					
78-H-0373	DF Starters with backs & 42"H w/out backs		1	\$15.80	
78-H-0374	DF Adders with backs 42" & 60" w/out backs		1	\$18.23	
78-H-0375	DF Starters 60" w/out back		1	\$31.60	
78-H-0376	DF Adders 82" & 90" w/out backs		1	\$36.47	
78-H-0378	DF Starters 82" & 90" w/out backs		1	\$35.25	
Other Hardware:					
78-H-1402	1" Shelf Pins (1 Dozen)			\$6.08	
78-H-RA280	Hinges for mag shelf (4)		2	\$18.23	
78-H-R60	Sway Brace			\$23.09	
78-H-R47	Spacer Rod			\$23.09	
End Panels:					
<i>Please specify left or right hand panel by palcing a "L" or "R" after the item #. For end panels that need a groove to accept a back simply add a "B" to the item # to indicate that a back will be used with the unit and add \$75.00 to list price. Single faced ends with a groove for backs are 3/4" deeper than standard ends.</i>					
single faced end panels:					
42" high:					
73-E-4210-OV	End Panel	1 x 10 x 42	17	\$150.72	
73-E-4212-OV	End Panel	1 x 12 x 42	21	\$162.88	
60-1/2" high:					
73-E-6010-OV	End Panel	1 x 10 x 60-1/2	25	\$187.19	
73-E-6012-OV	End Panel	1 x 12 x 60-1/2	30	\$204.21	
82" high:					
73-E-8210-OV	End Panel	1 x 10 x 82	33	\$239.45	
73-E-8212-OV	End Panel	1 x 12 x 82	40	\$262.55	

Item #	Description	Dimensions	Weight	List \$
90" high:				
73-E-9010-OV	End Panel	1 x 10 x 90	37	\$255.26
73-E-9012-OV	End Panel	1 x 12 x 90	44	\$279.57
double faced end panels:				
42" high:				
73-E-4216-OV	End Panel	1 x 16 x 42	28	\$230.95
73-E-4220-OV	End Panel	1 x 20 x 42	34	\$256.47
73-E-4224-OV	End Panel	1 x 24 x 42	41	\$280.78
60-1/2" high:				
73-E-6016-OV	End Panel	1 x 16 x 60-1/2	39	\$257.69
73-E-6020-OV	End Panel	1 x 20 x 60-1/2	49	\$289.29
73-E-6024-OV	End Panel	1 x 24 x 60-1/2	59	\$319.68
82" high:				
73-E-8216-OV	End Panel	1 x 16 x 82	53	\$329.40
73-E-8220-OV	End Panel	1 x 20 x 82	66	\$386.53
73-E-8224-OV	End Panel	1 x 24 x 82	80	\$403.55
90" high:				
73-E-9020-OV	End Panel	1 x 20 x 90	73	\$391.39
73-E-9024-OV	End Panel	1 x 24 x 90	87	\$433.94
Intermediate Uprights:				
<i>Uprights are 3/4" thick solid oak with 32mm construction on both faces of the upright. Connecting holes are bored near top & bottom for top and base connection. For uprights that need a groove to accept a back simply add a "B" to the item # to indicate that a back will be used with the unit and add \$75.00 to the list price.</i>				
single faced intermediate uprights:				
42" high:				
75-E-4210C-O	Intermediate Upright	3/4 x 16 x 42	8	\$159.23
75-E-4212C-O	Intermediate Upright	3/4 x 12 x 42	9	\$167.74

Item #	Description	Dimensions	Weight	List \$
Conversion Uprights:				
<i>Uprights are 3/4" thick solid oak with 32mm construction on one face and 1" on the other. Connecting holes are bored near top & bottom for top and base connection. For SF panels specify which side of the panel to be 1" holes. When facing unit: "L" = left side, "R" = right side. For conversion uprights that need a groove to accept a back simply add a "B" to the item # to indicate that a back will be used with the unit and add \$75.00 to the list price.</i>				
single faced conversion uprights:				
42" high:				
69-E-4210C-O	Conversion Upright	3/4 x 10 x 42	8	\$165.31
69-E-4212C-O	Conversion Upright	3/4 x 12 x 42	9	\$167.74
60-1/2" high:				
69-E-6008C-O	Conversion Upright	3/4 x 8 x 60-1/2	9	\$165.31
69-E-6010C-O	Conversion Upright	3/4 x 10 x 60-1/2	12	\$178.68
69-E-6012C-O	Conversion Upright	3/4 x 12 x 60-1/2	14	\$190.83
82" high:				
69-E-8208C-O	Conversion Upright	3/4 x 8 x 82	12	\$226.08
69-E-8210C-O	Conversion Upright	3/4 x 10 x 82	16	\$245.53
69-E-8212C-O	Conversion Upright	3/4 x 12 x 82	19	\$267.41
90" high:				
69-E-9010C-O	Conversion Upright	3/4 x 10 x 90	20	\$267.41
69-E-9012C-O	Conversion Upright	3/4 x 12 x 90	24	\$291.72
double faced conversion uprights:				
42" high:				
69-E-4216C-O	Conversion Upright	3/4 x 16 x 42	13	\$215.14
69-E-4220C-O	Conversion Upright	3/4 x 20 x 42	16	\$232.16
69-E-4224C-O	Conversion Upright	3/4 x 24 x 42	19	\$247.96

Item #	Description	Dimensions	Weight	List \$
Tops:				
<i>Tops are standard in wood veneer. Laminate tops are available - please call for pricing. For 82" high DF units order two 8", 10" or 12" tops - no groove for back is needed on these tops. Add a "B" to the item # to indicate that a back will be used with this top and add \$75.00 to list price. For continuous tops on shelving ranges please call for a special estimate.</i>				
T008	8" Top	8 x 36h	5	\$109.40
T010	10" Top	10 x 36h	6	\$113.04
T012	12" Top	12 x 36h	7	\$117.90
T016	16" Top	16 x 36h	9	\$134.92
T020	20" Top	20 x 36h	12	\$148.29
T024	24" Top	24 x 36h	14	\$158.02
Note of Shelving Units with Backs:				
<i>All single faced and double faced units, with and without shelves, can be made to accept a back.</i>				
1st - Add a "B" to the item # to indicate that a back will be used with the unit.				
2nd - Add \$80 to List Price for 42" high, \$100 for 60-1/2" high, \$120 for 82" and 90" high.				
3rd - Please choose from the backs listed below.				
<i>Single faced units with groove for back are 3/4" deeper than standard units.</i>				
42" high backs:				
FWB42-O	Finished Wood	35-1/2 x 42h	20	\$215.14
ROB42-O	Rotary Wood	35-1/2 x 42h	20	\$134.34
60-1/2" high backs:				
FWB60-O	Finished Wood	35-1/2 x 60-1/2h	25	\$272.27
ROB60-O	Rotary Wood	35-1/2 x 59-5/8h	25	\$178.68

t series shelving

Item #	Description	Dimensions	Weight	List \$	
82" high backs:					
FWB82-0	Finished Wood	35-1/2 x 82h	35	\$342.77	
ROB82-0	Rotary Wood	35-1/2 x 82h	20	\$223.65	
90" high backs:					
FWB90	Finished Wood	36-5/8 x 90h	40	\$361.01	
ROB90-0	Rotary Wood	36-5/8 x 90h	40	\$226.08	

Item #	Description	Dimensions	Weight	List \$
Wood end panels for steel bookstacks:				
<i>End panels are wood veneer on both faces (over particleboard) with either pvc or wood banding. Wood end panels for steel bookstacks may be reduced in height and/or width to fit specific steel components.</i>				
for 90" high units:				
ST-E-9008-OV	8"	9-3/8 x 1-1/8 x 90	32	\$275.92
ST-E-9009-OV	9"	10-3/8 x 1-1/8 x 90	35	\$275.92
ST-E-9010-OV	10"	11-3/8 x 1-1/8 x 90	38	\$275.92
ST-E-9012-OV	12"	13-3/8 x 1-1/8 x 90	44	\$275.92
ST-E-9013-OV	13" (lettersize)	14-3/8 x 1-1/6 x 90	47	\$356.14
ST-E-9016-OV	16"	16-3/4 x 1-1/8 x 90	54	\$356.14
ST-E-9018-OV	18"	18-3/4 x 1-1/8 x 90	60	\$356.14
ST-E-9020-OV	20"	20-3/4 x 1-18 x 90	66	\$393.82
ST-E-9024-OV	24"	24-3/4 x 1-1/8 x 90	78	\$446.09
ST-E-9026-OV	26" (lettersize)	26-3/4 x 1/18 x 90	84	\$446.09
for 66" high units:				
ST-E-6608-OV	8"	9-3/8 x 1-1/8 x 66	24	\$238.24
ST-E-6609-OV	9"	10-3/8 x 1-1/8 x 66	27	\$238.24
ST-E-6610-OV	10"	11-3/8 x 1-1/8 x 66	30	\$238.24
ST-E-6612-OV	12"	13-3/8 x 1-1/8 x 66	34	\$238.24
ST-E-6613-OV	13" (lettersize)	14-3/8 x 1-1/8 x 66	36	\$269.84
ST-E-6616-OV	16"	16-3/4 x 1-1/8 x 66	42	\$269.84
ST-E-6618-OV	18"	18-3/4 x 1-1/8 x 66	47	\$269.84
ST-E-6620-OV	20"	20-3/4 x 1-1/8 x 66	52	\$307.52
ST-E-6624-OV	24"	24-3/4 x 1-1/8 x 66	62	\$307.52
ST-E-6626-OV	26" (lettersize)	26-3/4 x 1-1/8 x 66	67	\$307.52
for 42" high units:				
ST-E-4208-OV	8"	9-3/8 x 1-1/8 x 42	15	\$159.23
ST-E-4209-OV	9"	10-3/8 x 1-1/8 x 42	17	\$159.23
ST-E-4210-OV	10"	11-3/8 x 1-1/8 x 42	19	\$159.23
ST-E-4212-OV	12"	13-3/8 x 1-1/8 x 42	22	\$159.23
ST-E-4213-OV	13" (lettersize)	14-3/8 x 1-1/8 x 42	23	\$215.14
ST-E-4216-OV	16"	16-3/4 x 1-1/8 x 42	27	\$215.14

Item #	Description	Dimensions	Weight	List \$
ST-E-4218-OV	18"	18-3/4 x 1-1/8 x 42	30	\$215.14
ST-E-4220-OV	20"	20-3/4 x 1-1/8 x 42	33	\$222.44
ST-E-4224-OV	24"	24-3/4 x 1-1/8 x 42	40	\$222.44
ST-E-4226-OV	26" (lettersize)	26-3/4 x 1-1/8 x 42	43	\$222.44
ST-H-V409	Brackets for wall hung uprights for wood end panels (one pair)		5	\$76.58
HPL end panels for steel bookstacks:				
<i>High Pressure Laminate end panels are banded externally with 3MM material on all exposed faces. For Wood Veneer tops: please add 15% to the list price of HPL tops, and specify clearly on order. HPL tops for steel bookstacks may be reduced in height and/or width to fit specific steel components.</i>				
for 90" high units:				
ST-E-9008L	8"	9-3/8 x 7/8 x 90	26	\$330.62
ST-E-9009L	9"	10-3/8 x 7/8 x 90	29	\$330.62
ST-E-9010L	10"	11-3/8 x 7/8 x 90	38	\$330.62
ST-E-9012L	12"	13-3/8 x 7/8 x 90	38	\$330.62
ST-E-9013L	13" (lettersize)	14-3/8 x 7/8 x 90	41	\$363.44
ST-E-9016L	16"	16-3/4 x 7/8 x 90	47	\$363.44
ST-E-9018L	18"	18-3/4 x 7/8 x 90	53	\$363.44
ST-E-9020L	20"	20-3/4 x 7/8 x 90	58	\$427.86
ST-E-9024L	24"	24-3/4 x 7/8 x 90	69	\$480.12
ST-E-9026L	26" (lettersize)	26-3/4 x 7/8 x 90	75	\$500.79
for 66" high units:				
ST-E-6608L	8"		29	\$269.84
ST-E-6609L	9"		22	\$269.84
ST-E-6610L	10"		41	\$269.84
ST-E-6612L	12"	13-3/8	28	\$269.84
ST-E-6613L	13" (lettersize)	14-3/8	31	\$300.23
ST-E-6616L	16"	16-3/4	35	\$300.23
ST-E-6618L	18"	18-3/4	38	\$300.23
ST-E-6620L	20"	20-3/4	40	\$352.50
ST-E-6624L	24"	24-3/4	51	\$352.50
ST-E-6626L	26" (lettersize)	26-3/4	57	\$352.50

Item #	Description	Dimensions	Weight	List \$
for 42" high units:				
ST-E-4208L	8"	9-3/8 x 7/8 x 42	32	\$204.21
ST-E-4209L	9"	10-3/8 x 7/8 x 42	14	\$204.21
ST-E-4210L	10"	11-3/8 x 7/8 x 42	15	\$204.21
ST-E-4212L	12"	13-3/8 x 7/8 x 42	18	\$204.21
ST-E-4213L	13" (lettersize)	14-3/8 x 7/8 x 42	21	\$213.93
ST-E-4216L	16"	16-3/4 x 7/8 x 42	22	\$213.93
ST-E-4219L	18"	18-3/4 x 7/8 x 42	23	\$213.93
ST-E-4220L	20"	20-3/4 x 7/8 x 42	25	\$277.14
ST-E-4224L	24"	24-3/4 x 7/8 x 42	32	\$289.29
ST-E-4226L	26" (lettersize)	26-3/4 x 7/8 x 42	38	\$289.29
ST-H-V409	Brackets for wall hung Uprights for wood end panels (one pair)		5	\$75.36
Laminate tops for steel bookstacks:				
<i>High Pressure Laminate tops are banded externally with 3MM material on all exposed faces. For Wood Veneer tops: please add 15% to the list price of HPL tops, and specify clearly on order. HPL tops for steel bookstacks may be reduced in height and/or width to fit specific steel components.</i>				
for 9' Bookstacks				
tops bound on all 4 sides:				
single faced:				
ST-T-9111-L	HPL Top, SF	9' 3" x 9-1/2 x 1-1/4	38	\$467.97
ST-T-10111-L		9' 3" x 10-1/2 x 1-1/4	43	\$467.97
ST-T-11111-L		9' 3" x 11-1/2 x 1-1/4	47	\$467.97
ST-T-13111-L		9' 3" x 13-1/2 x 1-1/4	56	\$467.97
ST-T-14111-L		9' 3" x 14-1/2 x 1-1/4	60	\$467.97
double faced:				
ST-T-17111-L	HPL Top, DF	9' 3" x 17 x 1-1/4	68	\$542.12
ST-T-19111-L		9' 3" x 19 x 1-1/4	73	\$542.12
ST-T-21111-L		9' 3" x 21 x 1-1/4	86	\$542.12
ST-T-25111-L		9' 3" x 25 x 1-1/4	102	\$542.12
ST-T-27111-L		9'3" x 27 x 1-1/4	112	\$542.12

Item #	Description	Dimensions	Weight	List \$
for 6' Bookstacks				
tops bound on all 4 sides:				
single faced:				
ST-T-975-L	HPL Top, SF	6' 3" x 9-1/2 x 1-1/4	26	\$269.84
ST-T-1075-L		6' 3" x 10-1/2 x 1-1/4	29	\$269.84
ST-T-1175-L		6' 3" x 11-1/2 x 1-1/4	32	\$269.84
ST-T-1375-L		6' 3" x 13-1/2 x 1-1/4	37	\$269.84
ST-T-1475-L		6' 3" x 14-1/2 x 1-1/4	40	\$269.84
double faced:				
ST-T-1775-L	HPL Top, DF	6' 3" x 17 x 1-1/4	46	\$461.89
ST-T-1975-L		6' 3" x 19 x 1-1/4	52	\$461.89
ST-T-2175-L		6' 3" x 21 x 1-1/4	57	\$461.89
ST-T-2575-L		6' 3" x 25 x 1-1/4	69	\$461.89
ST-T-2775-L		6' 3" x 27 x 1-1/4	75	\$461.89
tops bound on 1 end and 2 sides, 2 holes machined at raw end:				
single faced:				
ST-T-973R-L	HPL Top, SF	6' 1-1/2" x 9-1/2 x 1-1/4	26	\$319.68
ST-T-1073R-L		6' 1-1/2" x 10-1/2 x 1-1/4	29	\$319.68
ST-T-1173R-L		6' 1-1/2" x 11-1/2 x 1-1/4	32	\$319.68
ST-T-1373R-L		6' 1-1/2" x 13-1/2 x 1-1/4	37	\$319.68
ST-T-1473R-L		6' 1-1/2" x 14-1/2 x 1-1/4	40	\$319.68
double faced:				
ST-T-1773R-L	HPL Top, DF	6' 1-1/2" x 17 x 1-1/4	46	\$363.44
ST-T-1973R-L		6' 1-1/2" x 19 x 1-1/4	52	\$363.44
ST-T-2173R-L		6' 1-1/2" x 21 x 1-1/4	57	\$363.44
ST-T-2573R-L		6' 1-1/2" x 25 x 1-1/4	69	\$363.44
ST-T-2773R-L		6' 1-1/2" x 27 x 1-1/4	75	\$363.44
tops bound on 2 sides with holes machined in both raw ends:				
single faced:				
ST-T-972G-L	HPL Top, SF	6' x 9-1/2 x 1-1/4	26	\$385.32
ST-T-1072G-L		6' x 10-1/2 x 1-1/4	29	\$385.32
ST-T-1172G-L		6' x 11-1/2 x 1-1/4	32	\$385.32
ST-T-1372G-L		6' x 13-1/3 x 1-1/4	37	\$385.32
ST-T-1472G-L		6' x 14-1/2 x 1-1/4	40	\$385.32

Item #	Description	Dimensions	Weight	List \$
double faced:				
ST-T-1772G-L	HPL Top, DF	6' x 17 x 1-1/4	46	\$461.89
ST-T-1972G-L		6' x 19 x 1-1/4	52	\$461.89
ST-T-2172G-L		6' x 21 x 1-1/4	57	\$461.89
ST-T-2572G-L		6' x 25 x 1-1/4	69	\$461.89
ST-T-2772G-L		6' x 27 x 1-1/4	75	\$461.89
for 3' Bookstacks				
tops bound on all 4 sides:				
single faced:				
ST-T-939-L	HPL Top, SF	3' 3" x 9-1/2 x 1-1/4	14	\$178.68
ST-T-1039-L		3' 3" x 10-1/2 x 1-1/4	16	\$178.68
ST-T-1139-L		3' 3" x 11-1/2 x 1-1/4	17	\$178.68
ST-T-1339-L		3' 3" x 13-1/2 x 1-1/4	19	\$178.68
ST-T-1439-L		3' 3" x 14-1/2 x 1-1/4	21	\$178.68
double faced:				
ST-T-1739-L	HPL Top, DF	3' 3" x 17 x 1-1/4	24	\$202.99
ST-T-1939-L		3' 3" x 19 x 1-1/4	27	\$202.99
ST-T-2139-L		3' 3" x 21 x 1-1-1/4	30	\$202.99
ST-T-2539-L		3' 3" x 25 x 1-1/4	36	\$202.99
ST-T-2739-L		3' 3" x 27 x 1-1/4	39	\$202.99
tops bound on 1 end and 2 sides, 2 holes machined at raw end:				
single faced:				
ST-T-937R-L	HPL Top, SF	3' 1-1/2" x 9-1/2 x 1-1/4	14	\$215.14
ST-T-1037R-L		3' 1-1/2" x 10-1/2 x 1-1/4	16	\$215.14
ST-T-1137R-L		3' 1-1/2" x 11-1/2 x 1-1/4	17	\$215.14
ST-T-1337R-L		3' 1-1/2" x 13-1/2 x 1-1/4	19	\$215.14
ST-T-1437R-L		3' 1-1/2" x 14-1/2 x 1-1/4	21	\$215.14
double faced:				
ST-T-1737R-L	HPL Top, DF	3' 1-1/2" x 17 x 1-1/4	24	\$241.89
ST-T-1937R-L		3' 1-1/2" x 19 x 1-1/4	27	\$241.89
ST-T-2137R-L		3' 1-1/2" x 21 x 1-1/4	30	\$241.89
ST-T-2537R-L		3' 1-1/2" x 25 x 1-1/4	36	\$241.89
ST-T-2737R-L		3' 1-1/2" x 27 x 1-1/4	39	\$241.89

Item #	Description	Dimensions	Weight	List \$
<i>tops bound on 2 sides with holes machined in both raw ends:</i>				
<i>single faced:</i>				
ST-T-936G-L	HPL Top, SF	3' x 9-1/2 x 1-1/4	14	\$246.75
ST-T-1036G-L		3' x 10-1/2 x 1-1/4	16	\$246.75
ST-T-1136G-L		3' x 11-1/2 x 1-1/4	17	\$246.75
ST-T-1336G-L		3' x 13-1/2 x 1-1/4	19	\$246.75
ST-T-1436G-L		3' x 14-1/2 x 1-1/4	21	\$246.75
<i>double faced:</i>				
ST-T-1736G-L	HPL Top, DF	3' x 17 x 1-1/4	24	\$252.83
ST-T-1936G-L		3' x 19 x 1-1/4	27	\$252.83
ST-T-2136G-L		3' x 21 x 1-1/4	30	\$252.83
ST-T-2536G-L		3' x 25 x 1-1/4	36	\$252.83
ST-T-2736G-L		3' x 27 x 1-1/4	39	\$252.83

32mm circulation desks

Circulation desks are composed of individual self supporting modular units. Units are standard at 39" height with individual laminate tops.

How to order circulation desks:
 1st - Please choose desk components
 2nd - Choose from the styles
 3rd Take style number (i.e. 82WO and put in front of component part number (example: 82WO-3201)
 All items are priced with Individual Tops or Continuous Top
 Items are shipped fully assembled
 Modular and Computer Units are available in standard height of 39". For 32" specify when ordering.

Item #	Description	Dimensions		
3200	Discharging Unit	36 x 30 x 39		
3201	Typing Unit	36 x 30 x 39		
3202	Knee Space Unit	36 x 30 x 39		
3203-39	Card Case Unit with two adjustable shelves	36 x 30 x 39		
3203-32	32" high unit with one adjustable shelf	36 x 30 x 32		
3204	Charging Machine Unit	36 x 30 x 39		
3205	Work Desk Unit	36 x 30 x 39		
3207-39	Open Shelf Unit 39" High Unit with two adjustable shelves	36 x 30 x 39		
3207-32	32" high unit with one adjustable shelf	36 x 30 x 32		
3208	Bookchute Unit	36 x 30 x 39		
BKT-7660-DT	Depressible Top Book Truck - Oak Standard laminate on depressible surface = 1531 beige	31 x 22 x 28		
BKT-7660-DTRBD	Depressible Top Book Truck - Oak with rubber bumpers. Standard laminate on depressible surface = 1531 Beige	31 x 22 x 28		

32mm circulation desks

Item #	Description	Dimensions	Weight	List \$
Dewey - DCWO				
3200			260	\$3,824.70
3201			225	\$2,860.24
3202			230	\$2,903.56
3203-39			345	\$3,917.70
3203-32			292	\$3,636.14
3204			240	\$3,926.62
3205			230	\$3,586.45
3207-39			210	\$2,450.00
3207-32			190	\$2,731.56
3208			185	\$2,220.67
BKT-7660-DT			150	\$2,306.03
BKT-7660-DTRBD			150	\$2,562.11
Item #	Description	Dimensions		
3209	90° Triangular Corner Unit	30 x 30 x 39		
3224	45° Triangular Corner Unit	24 x 30 x 39		
3234	90° Round Corner Unit (Closed Front)	30 x 30 x 39		
3235	45° Round Corner Unit (Round Front)	30 x 30 x 39		
3210	Square Corner Work Unit	30 x 30 x 39		
3211 - 39	39" H Cupboard Unit with 2 adjustable shelves	36 x 30 x 39		
3211 - 32	32" H Cupboard Unit with 1 adjustable shelves	36 x 30 x 32		
3212	Discharging Unit - 8 tray unit with cover. No trays included	36 x 30 x 39		
3213	Discharging Unit - 8 tray unit with cover. No trays included (holds 8)	36 x 30 x 39		
LBA-12075	3" x 5" Tray for Cards (maple wood only) - (includes top)	5 x 3		
3218 - 39	Vertical File with 4 legal size drawers 39" High Unit	36 x 30 x 39		
3218 - 32	Vertical File with 4 legal size drawers 32" High Unit	36 x 30 x 32		

32mm circulation desks

Item #	Description	Dimensions	Weight	List \$
Dewey - DCWO				
3209			140	\$2,731.56
3224			140	\$2,903.56
3234			-	
3235			-	
3210			140	\$2,731.56
3211-39			240	\$3,501.09
3211-32			220	\$3,219.52
3212			240	\$2,988.92
3213			280	\$2,988.92
LBA-12075			50	\$128.68
3218-39			260	\$4,071.86
3218-32			240	\$3,790.30
Item #	Description	Dimensions		
3219-39	Ninety Degree Triangular Corner Unit	30 x 30 x 39		
3219-32	32" High Unit with one adjustable shelf	30 x 30 x 32		
32104	Vertical File with 6 drawers. Not available in 32"	36 x 30 x 39		
32105-39	39" Basic Drawer Unit, 2 drawers, two shelves	36 x 30 x 39		
32105-32	32" Basic Drawer Unit, 2 drawers, 1 shelf	36 x 30 x 32		
LBA-ADJ-FL	Shelf for Basic Units, 3203, 3207, 3211, 3213, 32105. Full inside width	34-7/16 x 22		
3222	Straight Work Desk Unit (surface 30" from floor)	72 x 30 x 39		
39322T	Straight Work Desk Typing Unit (surface 27" from floor)	72 x 30 x 39		
32D100	Pedestal Work Desk Unit - stand alone. Order two end panels if using in a circuloitoin desk	64 x 30 x 29		
3223	Corner Work Desk (surface 30" from floor)			
3223T	Corner Typing Desk (surface 27" from floor)	62-3/4 x 30 x 39		
3230	Open Port Unit (36" wide)	62-3/4 x 30 x 39		

32mm circulation desks				
Item #	Description	Dimensions	Weight	List \$
Dewey - DCWO				
3219-39			110	\$3,757.17
3219-32			110	\$3,474.33
32104			350	\$4,696.14
32105-39			315	\$3,414.45
32105-32			295	\$3,008.03
LBA-ADJ-FL			23	\$284.11
3222			470	\$4,696.14
39322T			470	\$4,696.14
32D100			395	\$7,110.47
3223			650	\$5,737.04
3223T			650	\$5,737.04
3230			175	\$2,093.26
Item #	Description	Dimensions		
3231	Open Port Unit (60" wide)	60 x 30 x 39		
3232	Open Port Unit (48" wide)	48 x 30 x 39		
3250	Access Unit, Wheelchair accessible from both sides	36 x 30 x 32		
LBA-3255	To add a Modesty Panel for Access Unit (#3250)	34-1/2 x 3/4 x 30-3/4		
953MP-2-BB	Mobile Desk Pedestal with 2 drawers and 1 file drawer, casters	16-1/2 x 18 x 25-1/4		
953MPA-2-BB	Mobile Desk Pedestal with 3 equal size drawers, casters	16-1/2 x 18 x 25-1/4		
953P-2-BB	Desk Pedestal with 3 equal size drawers	16-1/2 x 18 x 25-1/4		
953PA-2-BB	Desk Pedestal with 2 drawers and 1 file drawer	16-1/2 x 18 x 25-1/4		
LBA-3297	Full Depth Pullout Shelf	34-1/2 x 22 x 3/4		
LBA-3298	Full Depth Pullout Tray	34-1/2 x 22 x 3/4		

32mm circulation desks

Item #	Description	Dimensions	Weight	List \$
Medallion 82 - 82WO				
3231			170	\$2,729.01
3232			160	\$2,113.65
3250			160	\$1,154.29
LBA-3255			30	\$424.26
953MP-2-BB			50	\$746.59
953MPA-2-BB			50	\$792.46
953P-2-BB			50	\$733.85
953PA-2-BB			50	\$780.99
LBA-3297			25	\$309.59
LBA-3298			25	\$538.92
Group 90 - 90WO				
3231			170	\$2,650.02
3232			160	\$2,075.43
3250			160	\$1,154.29
LBA-3255			30	\$424.26
953MP-2-BB			50	\$746.59
953MPA-2-BB			50	\$792.46
953P-2-BB			50	\$733.85
953PA-2-BB			50	\$780.99
LBA-3297			25	\$309.59
LBA-3298			25	\$538.92
Dewey - DCWO				
3231			195	\$3,628.49
3232			185	\$2,903.56
3250			180	\$1,281.69
LBA-3255			30	\$471.40
953MP-2-BB			50	\$829.41
953MPA-2-BB			50	\$880.37
953P-2-BB			50	\$814.12
953PA-2-BB			50	\$867.63
LBA-3297			25	\$342.72
LBA-3298			25	\$597.53

32mm circulation desks

Item #	Description	Dimensions		
32M901	Modular Unit, 2 doors, 2 drawers, 2 shelves Not available in 32"	36 x 36 x 39		
32M902	Modular Unit, 1 right door, 2 drawers, 2 shelves. Not available in 32"	36 x 30 x 39		
32M903	Modular Unit, 1 right door, 4 drawers, 1 half width shelf. Not available in 32"	36 x 30 x 39		
32M904	Modular Unit, 1 right door, 5 drawers, 1 half width shelf. Not available in 32"	36 x 30 x 39		
32M905	Modular Unit, 1 left door, 6 drawers, 1 shelf. Not available in 32"	36 x 30 x 39		
32M906	Modular Unit, 4 drawers. Not available in 32".	36 x 30 x 39		
32M201	Modular Unit, 2 left stacked drawers, 1 shelf Not available in 39"	36 x 30 x 32		
32M202	Modular Unit, 1 right door, 2 shelves Not available in 39"	36 x 30 x 32		
32M203	Modular Unit, 1 right door, 2 drawers, 1 shelf. Not available in 39"	36 x 30 x 32		
32M204	Modular Unit, 1 right door, 3 drawers, 1 shelf. Not available in 39"	36 x 30 x 32		

32mm circulation desks

Item #	Description	Dimensions	Weight	List \$
Medallion 82 - 82WO				
32M901			225	\$3,457.77
32M902			240	\$3,373.68
32M903			250	\$3,680.73
32M904			250	\$3,903.69
32M905			250	\$4,125.37
32M906			245	\$3,157.09
32M201			240	\$2,765.96
32M202			240	\$2,613.07
32M203			260	\$3,112.50
32M204			250	\$3,334.19
Group 90 - 90WO				
32M901			225	\$3,419.55
32M902			240	\$3,334.19
32M903			250	\$3,641.23
32M904			250	\$3,864.19
32M905			250	\$4,087.15
32M906			245	\$3,103.58
32M201			240	\$2,729.01
32M202			240	\$2,573.58
32M203			260	\$3,073.01
32M204			250	\$3,169.83
Dewey - DCWO				
32M901			250	\$4,226.02
32M902			265	\$4,217.10
32M903			275	\$4,558.55
32M904			275	\$4,721.63
32M905			275	\$4,968.79
32M906			270	\$3,876.93
32M201			265	\$3,457.77
32M202			265	\$3,288.32
32M203			280	\$3,842.53
32M204			275	\$4,089.70

Item #	Description	Dimensions		
32M205	Modular Unit, 1 right door, 4 drawers, 1 shelf. Not available in 39"	36 x 30 x 32		
32M206	Modular Unit, 2 top drawers Not available in 39"	36 x 30 x 32		
LBA-ADJ-MD	Shelf for Modular Units 32107-32118	16-13/16 x 22		
32C901	Computer Storage Unit w /right door & CD-ROM drawer. 1 Shelf in Open Area. Not available in 32"	36 x 30 x 39		
32C902	Computer Storage Unit w /left door & CD-ROM drawer. 1 Shelf in Open Area. Not available in 32".	36 x 30 x 39		
32C201	Computer Storage Unit w /right door & CD-ROM drawer. 1 Shelf in Open Area. Not available in 39".	36 x 30 x 32		
32C202	Computer Storage Unit w /left door & CD-ROM drawer. 1 Shelf in Open Area. Not available in 39"	36 x 30 x 32		
LBA-ADJ-CP	Additional Shelf for Computer Storage Units, 32119-32122	24-7/16 x 23		
GR-3	Glove Rail, 3'	36 x 7 x 9		
GR-4	Glove Rail, 4'	48 x 7 x 9		

32mm circulation desks

Item #	Description	Dimensions	Weight	List \$
Medallion 82 - 82WO				
32M205			260	\$3,557.14
32M206			250	\$2,573.58
LBA-ADJ-MD			20	\$193.66
32C901			245	\$2,729.01
32C902			245	\$2,729.01
32C201			250	\$2,729.01
32C202			250	\$2,729.01
LBA-ADJ-CP			20	\$193.66
GR-3			30	\$346.54
GR-4			35	\$424.26
Group 90 - 90WO				
32M205			260	\$3,520.20
32M206			250	\$2,536.63
LBA-ADJ-MD			20	\$193.66
32C901			245	\$2,689.52
32C902			245	\$2,729.01
32C201			250	\$2,689.52
32C202			250	\$2,689.52
LBA-ADJ-CP			20	\$193.66
GR-3			30	\$346.54
GR-4			35	\$424.26
Dewey - DCWO				
32M205			280	\$4,336.86
32M206			275	\$3,245.00
LBA-ADJ-MD			20	\$215.31
32C901			270	\$3,414.45
32C902			270	\$3,414.45
32C201			275	\$3,414.45
32C202			275	\$3,414.45
LBA-ADJ-CP			20	\$215.31
GR-3			30	\$384.76
GR-4			35	\$471.40

32mm circulation desks

Item #	Description	Dimensions		
GR-45	45° Glove Rail Triangular Corner	30 x 30 x 9		
GR-90	Glove Rail Triangular Corner	30 x 30 x 9		
GR-10	Glove Rail Square	36 x 30 x 9		
GR-3C	Glove Rail Continuous Top, 3' Tops (one only)	36 x 7 x 9		
GR-6C	Glove Rail Continuous Top, 6'	72 x 7 x 9		
GR-9C	Glove Rail Continuous Top, 9' (includes 1 top)	108 x 7 x 9		
3215	Standard 39" End Panel for Individual or Continuous (includes 1 top)	30-1/2 x 1-1/8 x 39-1/4		
32144R	39" Right End Panel for Unit With Glove Rail	30-1/2 x 1-1/8 x 48-1/4		
32144L	Left End Panel for Unit With Glove Rail	30-1/2 x 11-1/8 x 48-1/4		
GR-15	Right End Panel for Glove Rail Section	7-1/2 x 11 x 9-1/4		
Item #	Description	Dimensions	Weight	List \$
Medallion 82 - 82WO				
GR-45			20	\$407.70
GR-90			25	\$500.70
GR-10			30	\$538.92
GR-3C			30	\$346.54
GR-6C			50	\$693.08
GR-9C			50	\$462.48
3215			90	\$462.48
32144R			95	\$500.70
32144L			95	\$500.70
GR-15			5	\$78.99

32mm circulation desks

Item #	Description	Dimensions	Weight	List \$
Group 90 - 90WO				
GR-45			20	\$407.70
GR-90			25	\$500.70
GR-10			30	\$538.92
GR-3C			30	\$346.54
GR-6C			50	\$693.08
GR-9C			95	\$462.48
3215			90	\$462.48
32144R			95	\$500.70
32144L			95	\$500.70
GR-15			5	\$78.99
Dewey - DCWO				
GR-45			20	\$453.56
GR-90			25	\$556.76
GR-10			30	\$597.53
GR-3C			30	\$384.76
GR-6C			50	\$770.16
GR-9C			95	\$513.44
3215			90	\$513.44
32144R			95	\$556.76
32144L			95	\$556.76
GR-15			5	\$86.64

32mm circulation desks

Item #	Description	Dimensions		
3225	Reducing Panel	30-1/2 x 11 x 39-1/4		
3239G	32" desk on left and a 39" high desk with a glove rail on the right	30 x 1-1/8 x 48		
39G32	39" desk with a glove rail on the left and a 32" high desk with a glove rail on the right.	30 x 1-1/8 x 48		
32G39	32" desk with a glove rail on the left and a 39" high desk with a glove rail on the right.	30 x 1-1/8 x 48		
3932G	39" desk on the left and a 32" high desk with a glove rail on the right	30 x 1-1/8 x 48		
32G39G	32" desk with glove rail on the left and 39" desk with a glove rail on the right	30 x 1-1/8 x 48		
39G32G	39" desk with glove rail on the left and 32" desk with a glove rail on the right.	30 x 1-1/8 x 48		
LBA-O-77G	Double Action Gate (for 39" high units)	25 x 3/4 x 29		
LBA-7496	Two Pencil Drawer	34-1/2 x 20 x 3		
WM-VS-1	Viewing Station			
Item #	Description	Dimensions	Weight	List \$
Medallion 82 - 82WO				
3225			95	\$462.48
3239G			95	\$500.70
32G32			95	\$500.70
32G39			95	\$500.70
3932G			95	\$500.70
32G39G			95	\$500.70
39G32G			95	\$500.70
LBA-O-77G			95	\$500.70
LBA-7496			75	\$526.18
WM-VS-1			25	\$1,383.62

32mm circulation desks

Item #	Description	Dimensions	Weight	List \$
Group 90 - 90WO				
3225			95	\$462.48
3239G			95	\$500.70
32G32			95	\$500.70
32G39			95	\$500.70
3932G			95	\$500.70
32G39G			95	\$500.70
39G32G			95	\$500.70
LBA-O-77G			95	\$500.70
LBA-7496			75	\$526.18
WM-VS-1			25	\$1,383.62
Dewey - DCWO				
3225			95	\$513.44
3239G			95	\$556.76
32G32			95	\$556.76
32G39			95	\$556.76
3932G			95	\$556.76
32G39G			95	\$556.76
39G32G			95	\$556.76
LBA-O-77G			95	\$556.76
LBA-7496			75	\$584.79
WM-VS-1			25	\$1,536.50

Item #	Description	Dimensions	Weight	List \$
30" Wide Book trucks with flat shelves:				
BKT-7608	Book Truck with 2 swivel and 2 stationary casters	30 x 14-1/8 x 36-3/4	75	\$779.00
BKT-7608-1	Book Truck with 4 swivel casters	30 x 14-1/8 x 36-3/4	75	\$796.00
BKT-7608RB	Book Truck with Bumpers, with 2 swivel and 2 stationary casters	30 x 14-1/8 x 36-3/4	85	\$988.00
BKT-7608-1RB	Book Truck with Bumpers with 4 swivel casters	30 x 14-1/8 x 36-3/4	85	\$1,004.00
Book trucks with sloping shelves:				
BKT-7609	Book Truck-sloping shelves with 2 swivel and 2 stationary casters	32-1/8 x 17-1/8 x 42-3/4	75	\$1,100.00
BKT-7609-1	Book Truck-sloping shelves with 4 swivel casters	32-1/8 x 17-1/8 x 42-3/4	75	\$1,099.00
BKT-7609RB	Book truck w/sloping shelves and bumpers with 2 swivel and 2 stationary casters	32-1/8 x 17-1/8 x 42-3/4	85	\$1,296.00
BKT-7609-1RB	Book truck w/sloping shelves and bumpers with 4 swivel casters	32-1/8 x 17-1/8 x 42-3/4	85	\$1,311.00
Depressible Top Book Trucks:				
BKT-7660-15DT	Depressible top book truck	31 x 22 x 28	150	\$1,612.00
BKT-7660-15DTRB	Depressible top book truck with rubber bumpers	31 x 22 x 28	150	\$1,791.00
<i>Standard laminate on depressible surface = ST1531 Beige</i>				

Item #	Description	Dimensions	Weight	List \$
low racks:				
low index racks with tapered ends				
single faced:				
100WO-L-36S	Low Rack-1P, SF	34-3/4 x 10-3/16 x 8	18	\$244.13
100WO-L-42S	Low Rack-1P, SF	40-3/4 x 10-3/16 x 8	19	\$317.50
100WO-L-72S	Low Rack-2P, SF	68-3/4 x 10-3/16 x 8	30	\$452.23
low racks:				
low index racks with tapered ends				
double faced:				
100WO-L-36D	Low Rack-2P, DF	34-3/4 x 19-3/8 x 8	19	\$354.85
100WO-L-42D	Low Rack-2P, DF	40-3/4 x 19-3/8 x 8	20	\$442.90
100WO-L-60D	Low Rack-4P, DF	58-1/2 x 19-3/8 x 8	34	\$424.22
100WO-L-72D	Low Rack-4P, DF	68-3/4 x 19-3/8 x 8	38	\$521.60
100WO-L-90D	Low Rack-6P, DF	87-3/8 x 19-3/8 x 8	47	\$573.63
high racks:				
high index racks with square ends				
single faced:				
100WO-SQ-36S	Square Rack 1P, SF	34-3/4 x 10-3/16 x 19-3/8	47	\$462.91
100WO-SQ-72S	Square Rack 2P, SF	68-3/4 x 10-3/16 x 19-3/8	67	\$872.45
high racks:				
high index racks with square ends				
double faced:				
100WO-SQ-36D	Square Rack 2P, DF	34-3/4 x 19-3/8 x 19-3/8	53	\$637.66
100WO-SQ-60D	Square Rack 4P, DF	58-1/2 x 19-3/8 x 19-3/8	86	\$1,104.57
100WO-SQ-72D	Square Rack 4P, DF	68-3/4 x 19-3/8 x 19-3/8	92	\$1,109.91
100WO-SQ-90D	Square Rack 6P, DF	87-3/8 x 19-3/8 x 19-3/8	116	\$1,556.81
high index racks with radius ends				
single faced:				
100WO-R-36S	Radius Rack-1P, SF	34-3/4 x 10-3/16 x 19-3/8	47	\$574.96
100WO-R-72S	Radius Rack-2P, SF	68-3/4 x 10-3/16 x 19-3/8	67	\$996.52

Item #	Description	Dimensions	Weight	List \$
high index racks with radius ends				
double faced:				
100WO-R-36D	Radius Rack-2P, DF	34-3/4 x 19-3/8 x 19-3/8	53	\$776.40
100WO-R-60D	Radius Rack-4P, DF	58-1/2 x 19-3/8 x 19-3/8	86	\$1,215.30
100WO-R-72D	Radius Rack-4P, DF	68-3/4 x 19-3/8 x 19-3/8	92	\$1,287.33
100WO-R-90D	Radius Rack-6P, DF	87-3/8 x 19-3/8 x 19-3/8	113	\$1,732.90
carrel racks with full sides and one shelf				
single faced:				
100WO-TRS-36S	Full Rack w/Shelf-1P,SF	34-3/4 x 10-3/16 x 19-3/8	62	\$586.97
100WO-TRS-72S	Full Rack w/Shelf-2P,SF	68-3/4 x 10-3/16 x 19-3/8	72	\$1,127.25
carrel racks with full sides and one shelf				
double faced:				
100WO-TRS-36D	Full Rack w/Shelf-2P,DF	34-3/4 x 19-3/8 x 19-3/8	68	\$851.11
100WO-TRS-60D	Full Rack w/Shelf-4P,DF	58-1/2 x 19-3/8 x 19-3/8	101	\$1,504.78
100WO-TRS-72D	Full Rack w/Shelf-4P,DF	68-3/4 x 19-3/8 x 19-3/8	105	\$1,507.45
100WO-TRS-90D	Full Rack w/Shelf-6P,DF	87-3/8 x 19-3/8 x 19-3/8	131	\$1,974.36
Classical rack style #2				
100WO-CSR2-36S	1 place, SF	36 x 10-3/16 x 19-3/8	47	\$557.62
100WO-CSR2-60S	2 place, SF	60 x 10-3/16 x 19-3/8	58	\$1,032.54
100WO-CSR2-72S	2 place, SF	72 x 10-3/16 x 19-3/8	67	\$1,061.88
100WO-CSR2-36D	4 place, DF	36 x 19-3/8 x 19-3/8	53	\$772.40
100WO-CSR2-60D	4 place, DF	60 x 19-3/8 x 19-3/8	86	\$1,326.02
100WO-CSR2-72D	4 place, DF	72 x 19-3/8 x 19-3/8	92	\$1,344.70
100WO-CSR2-90D	6 place, DF	90 x 19-3/8 x 19-3/8	116	\$2,166.46
Classical rack style #3				
100WO-CSR3-36S	1 place, SF	36 x 10-3/16 x 19-3/8	47	\$596.31
100WO-CSR3-60S	2 place, SF	60 x 10-3/16 x 19-3/8	58	\$1,099.24
100WO-CSR3-72S	2 place, SF	72 x 10-3/16 x 19-3/8	67	\$1,109.91
100WO-CSR3-36D	4 place, DF	36 x 19-3/8 x 19-3/8	53	\$823.09
100WO-CSR3-60D	4 place, DF	60 x 19-3/8 x 19-3/8	86	\$1,412.73
100WO-CSR3-72D	4 place, DF	72 x 19-3/8 x 19-3/8	92	\$1,431.41
100WO-CSR3-90D	6 place, DF	90 x 19-3/8 x 19-3/8	116	\$2,309.20

LIBRARYBUREAU

moduform, inc. 172 industrial road fitchburg, ma 01420 p: 800-221-6638 f: 978-345-0188 w: moduform.com
