

MODUMAXX CAFE TABLES

**MODU  
FORM<sup>®</sup>**



## MODUMAXX X-BASE



**5006-36R-HPL**  
36" diameter x 30"  
Game HPL Available

ModuForm's unique and contemporary ModuMaxx cafe table invites patients and caregivers to connect and converse, helping to reduce stress, lift spirits, and boost cognitive function, all while fostering a warm sense of community and emotional support.

In higher acuity settings where durability and safety are essential, our tables can be easily weighted through a concealed, tamper-proof port. The seamless design ensures effortless cleaning, allowing the use of mild detergents, commercial disinfectants, steam, and bleach-based agents to prevent the spread of bloodborne pathogens and viruses.

When promoting positive social interactions is key, the ModuMaxx collection of chairs and tables creates environments that soothe, inspire, and rejuvenate.

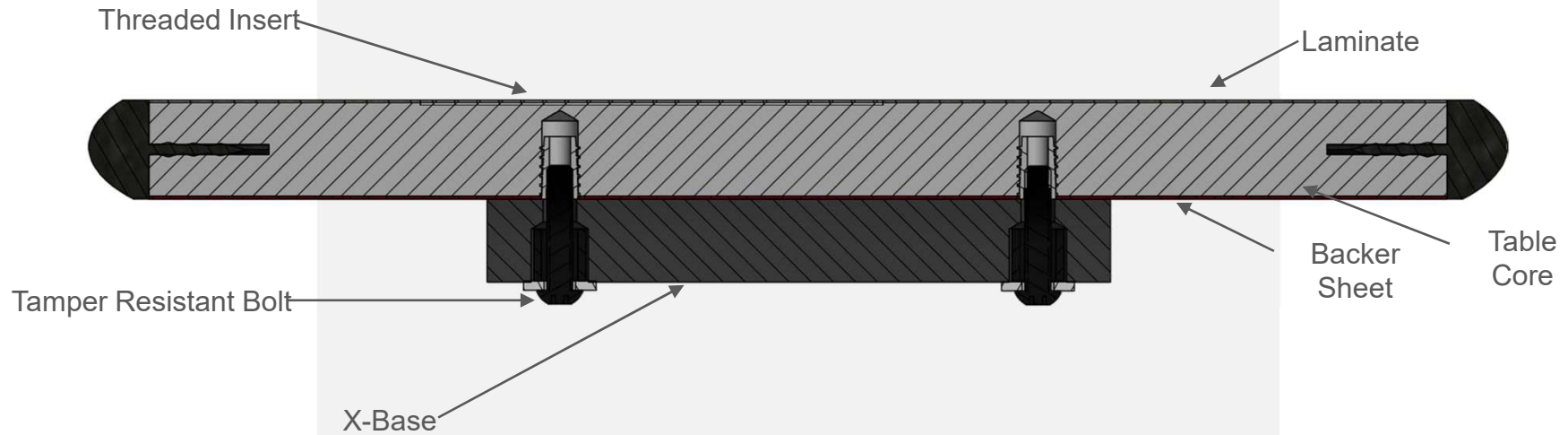


**5006-42R-HPL**  
42" diameter x 30"  
Game HPL Available



# MODUMAXX CAFÉ TABLE

## Through Bolt | Tabletop Construction



### Features

- ModuMaxx pedestal base is rotationally molded, high-impact polyethylene.
- Base is sealed and seamless making it safe, easy to clean, pick, kick and puncture resistant.
- Base can be ballasted with added weight if necessary.
- Easily cleaned with steam, bleach-based and other detergents.
- Polyethylene is fully pigmented material which conceals scuffs or scratches.
- Design to provide individual space while seated.
- Available in plain or game top with heavy duty bumper edge.
- Certified Green for low VOC emissions and a healthier indoor environment.



# MODUMAXX Double Pedestal



**5006-3672-HPL**  
36"d x 72"w x 30"h  
Plain Top



# MODU FORM®



## MODUMAXX CAFE TABLES

ModuForm, Inc.  
172 Industrial Road  
Fitchburg, MA 01420  
(978) 345-7942  
[moduform.com](http://moduform.com)

